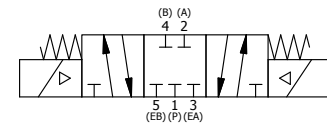
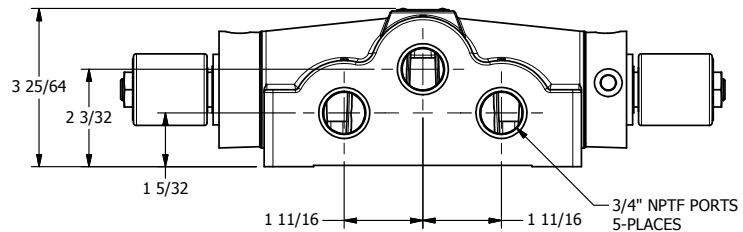
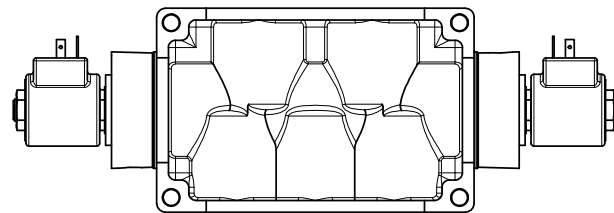
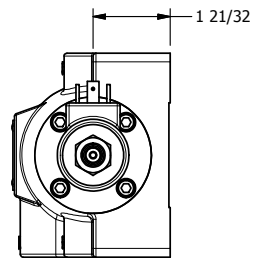
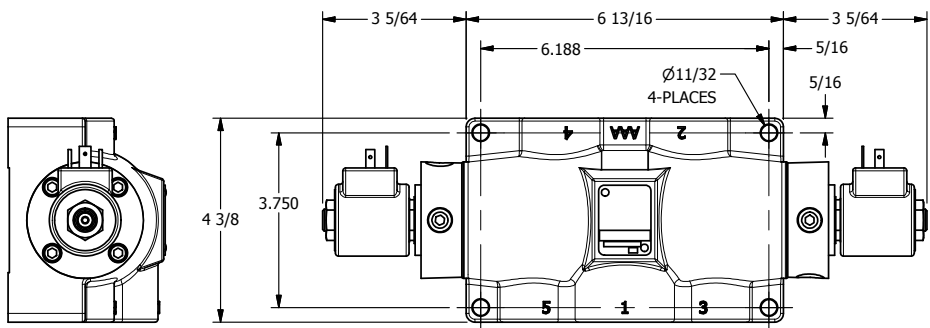
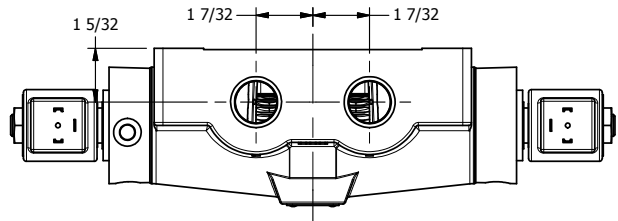


4

3

2

1



TITLE: 3/4" SIDE PORT, DBL SOL, 3 POS,
SPR CTR, SOL RTRN, CLSD CTR SPL,
ISO 4400 DIN, TAPPED VENT

DRAWING NO.:
DIM_SY6EDT

4

3

2

1