

4

3

2

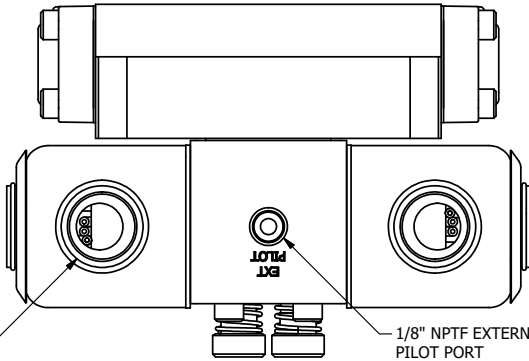
1

B

B

A

A



1/2" NPT CONDUIT CONNECTION

1/8" NPTF EXTERNAL PILOT PORT

EXT PILOT

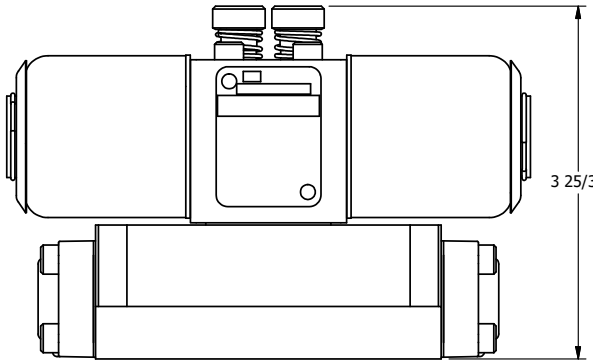
61/64 3 45/64 61/64

3.344 3/16

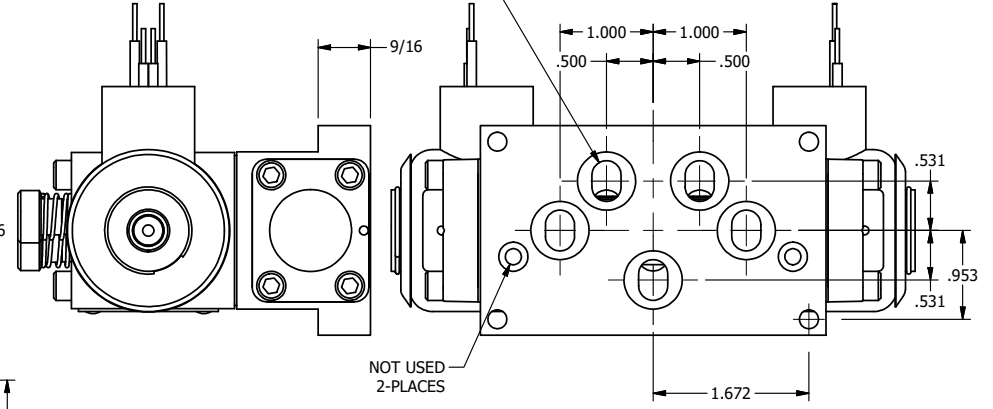
Ø13/64 4-PLACES

2 1/4

1.906



3 25/32



PORTS 5-PLACES

9/16

1.000 1.000

.500 .500

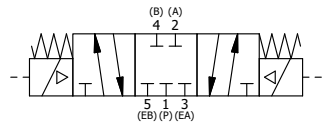
.531

.953

.531

NOT USED 2-PLACES

1.672



(B) (A)

4 2

5 1 3
(EB) (P) (EA)



AAA PRODUCTS INTERNATIONAL
 7114 Harry Hines Blvd
 Dallas, TX 75235

TITLE: 3/8" SUBPLATE, DBL SOL, 3 POS,
 SPR CTR, SOL SHFT, CLSD CTR SPL,
 EXPL PROOF, LCKNG OVRD, EXT PILOT

DRAWING NO.:
 DIM_SY3PXOZ

4

3

2

1



THE INFORMATION CONTAINED WITHIN THIS DOCUMENT IS PROPRIETARY TO AAA PRODUCTS AND MAY NOT BE DISCLOSED WITHOUT PRIOR WRITTEN CONSENT