

4

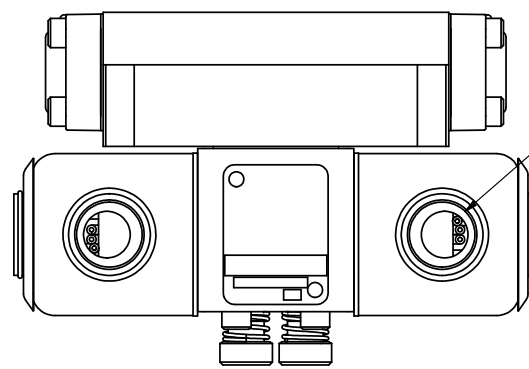
3

2

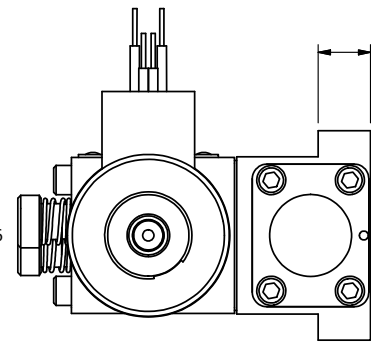
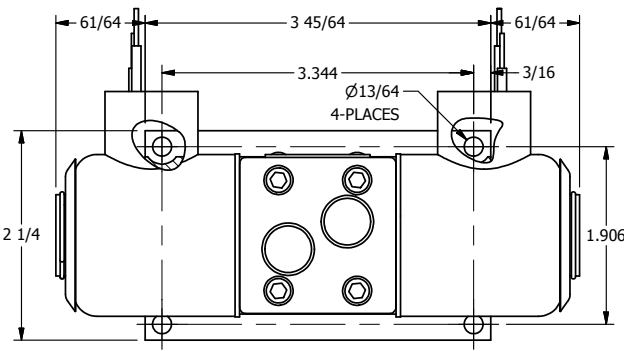
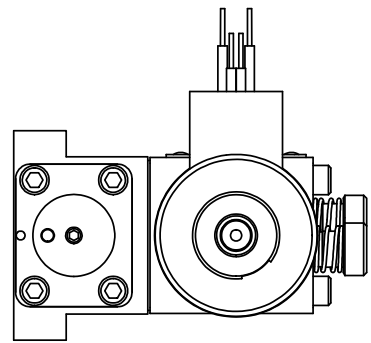
1

B

B

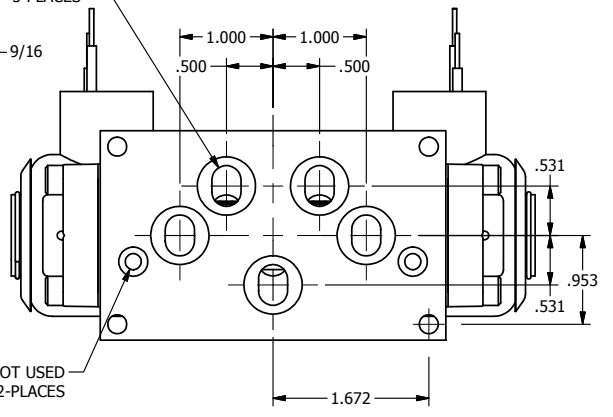


1/2" NPT CONDUIT CONNECTION



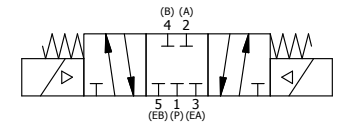
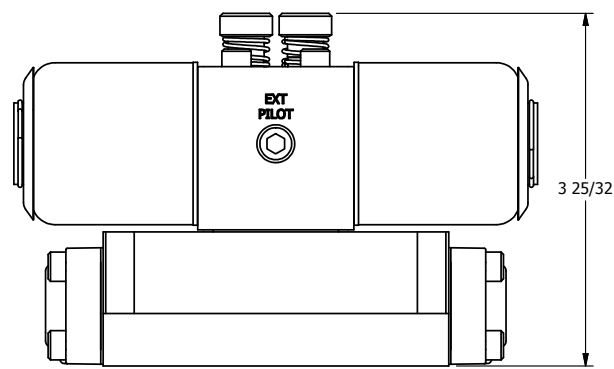
PORTS
5-PLACES

NOT USED
2-PLACES



A

A



4

3

2

1



AAA PRODUCTS INTERNATIONAL
7114 Harry Hines Blvd
Dallas, TX 75235

TITLE: 3/8" SUBPLATE, DBL SOL, 3 POS,
SPR CTR, SOL RTRN, CLSD CTR SPL,
EXPL PROOF, LCKNG OVRD

DRAWING NO.:
DIM_SY3PXO

THE INFORMATION CONTAINED WITHIN THIS DOCUMENT IS PROPRIETARY TO AAA PRODUCTS AND MAY NOT BE DISCLOSED WITHOUT PRIOR WRITTEN CONSENT