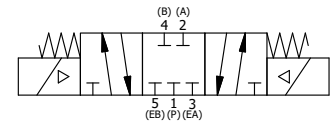
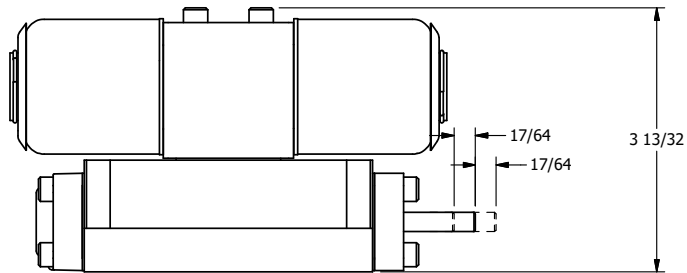
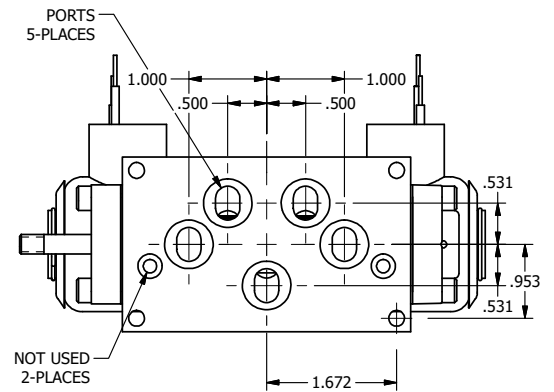
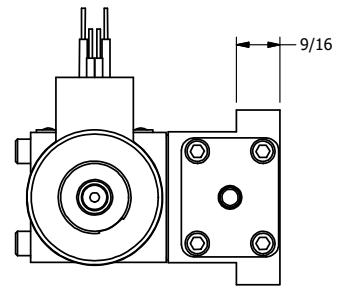
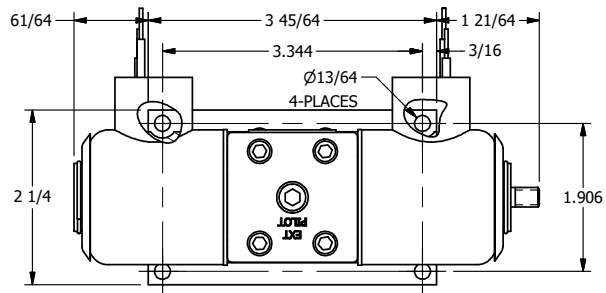
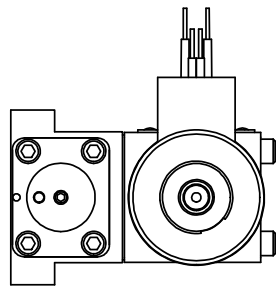
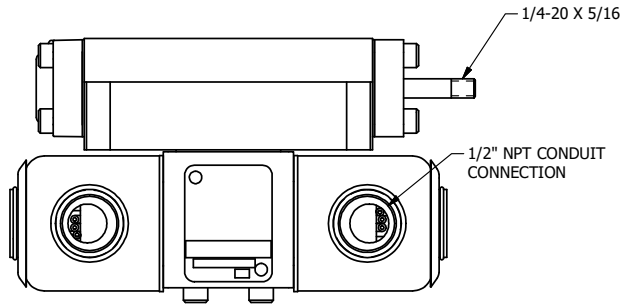


4

3

2

1



TITLE: 3/8" SUBPLATE, DBL SOL, 2 POS,
SPR CTR, SOL SHFT, CLSD CTR SPL,
EXPL PROOF, THREADED INDICATOR

DRAWING NO.:
DIM_SY3PXK

THE INFORMATION CONTAINED WITHIN THIS DOCUMENT IS PROPRIETARY TO AAA PRODUCTS AND MAY NOT BE DISCLOSED WITHOUT PRIOR WRITTEN CONSENT

4

3

2

B

B

A

A