

4

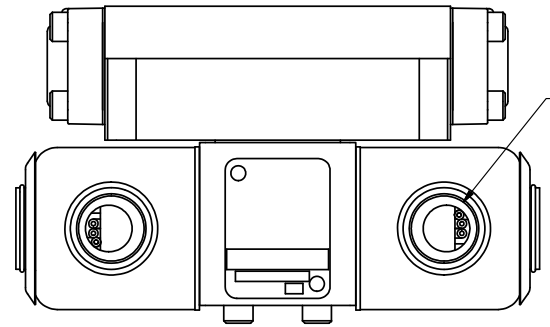
3

2

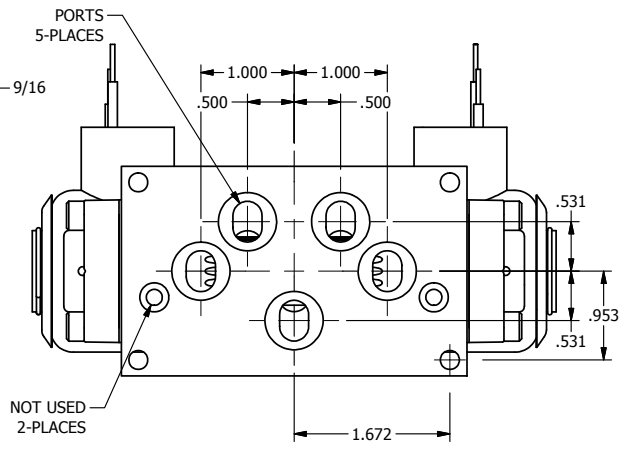
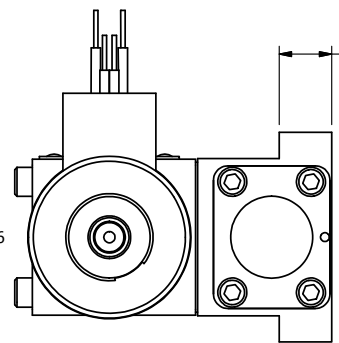
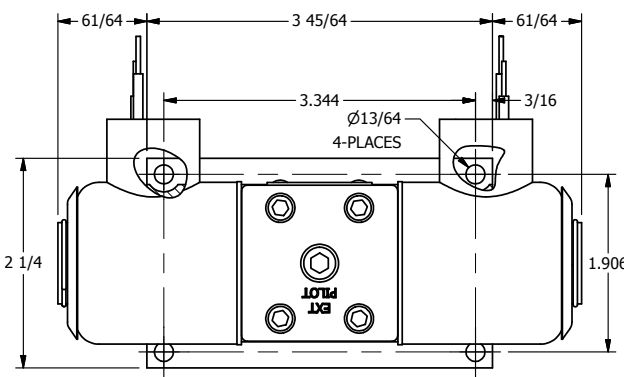
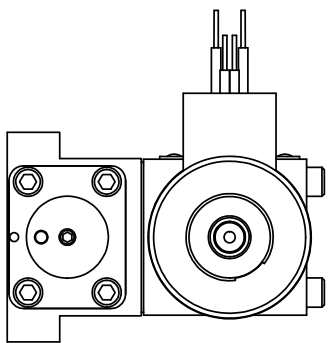
1

B

B

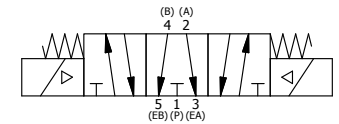
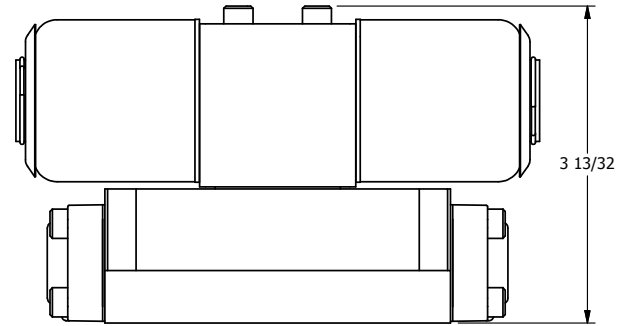


1/2" NPT CONDUIT CONNECTION



A

A



4

3

2

1

A

A

AAA
PRODUCTS
INTERNATIONAL

AAA PRODUCTS INTERNATIONAL
7114 Harry Hines Blvd
Dallas, TX 75235

TITLE: 3/8" SUBPLATE, DBL SOL, 3 POS,
SPR CTR, SOL RTRN, FLOAT CTR SPL,
EXPL PROOF

PART NO.:
DIM_SY3PGX

THE INFORMATION CONTAINED WITHIN THIS DOCUMENT IS PROPRIETARY TO AAA PRODUCTS AND MAY NOT BE DISCLOSED WITHOUT PRIOR WRITTEN CONSENT