

4

3

2

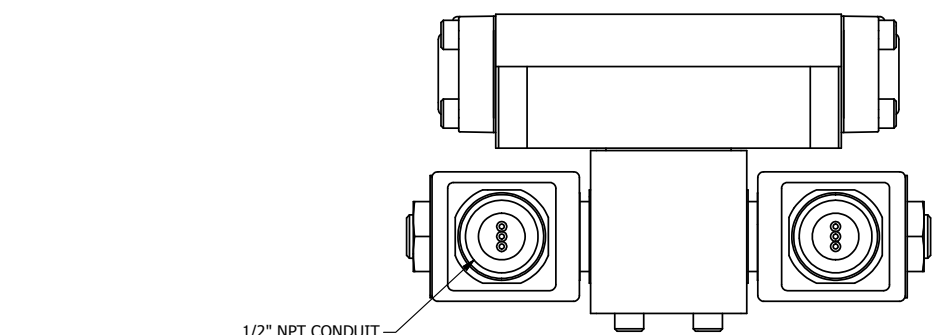
1

B

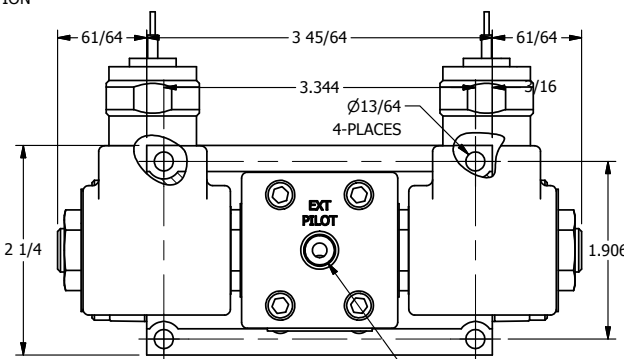
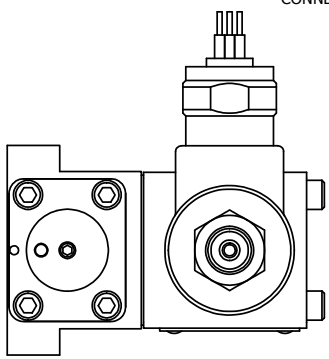
B

A

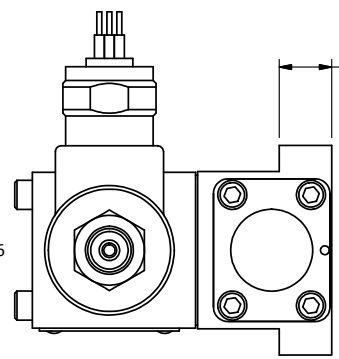
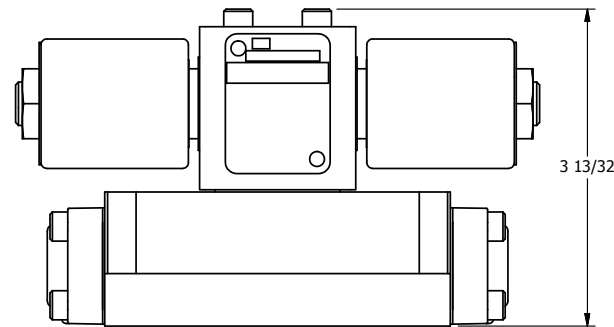
A



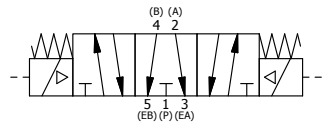
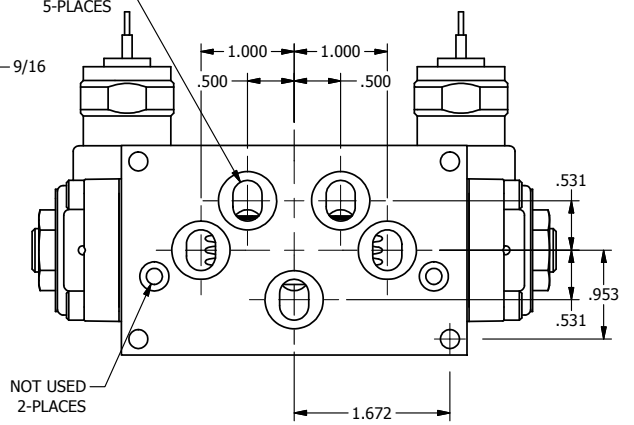
1/2" NPT CONDUIT CONNECTION



1/8" NPTF EXTERNAL PILOT PORT



PORTS 5-PLACES



AAA
PRODUCTS
INTERNATIONAL

**AAA PRODUCTS
INTERNATIONAL**
7114 Harry Hines Blvd
Dallas, TX 75235

TITLE: 3/8" SUBPLATE, DBL SOL, 3 POS,
SPR CTR, SOL RTRN, FLOAT CTR SPL,
MOLD-OVER, EXT PILOT

DRAWING NO.:
DIM_SY3PGMZ

THE INFORMATION CONTAINED WITHIN THIS DOCUMENT IS PROPRIETARY TO AAA PRODUCTS AND MAY NOT BE DISCLOSED WITHOUT PRIOR WRITTEN CONSENT

4

3

2

1

A

A