

4

3

2

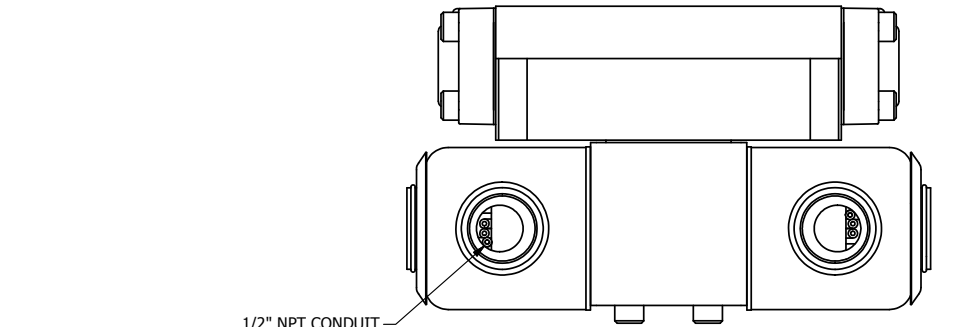
1

B

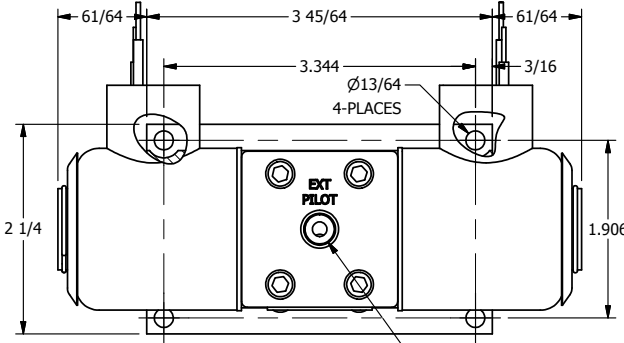
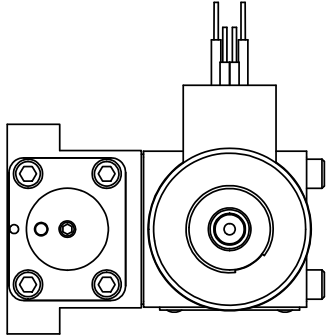
B

A

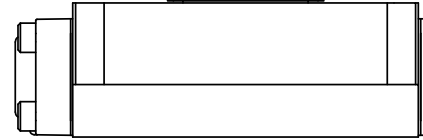
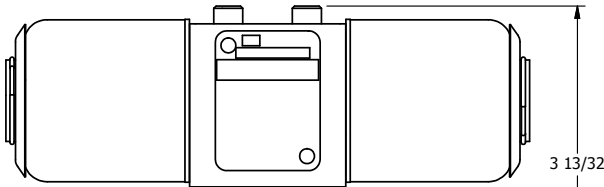
A



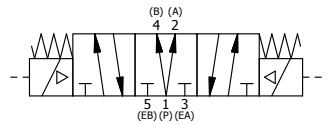
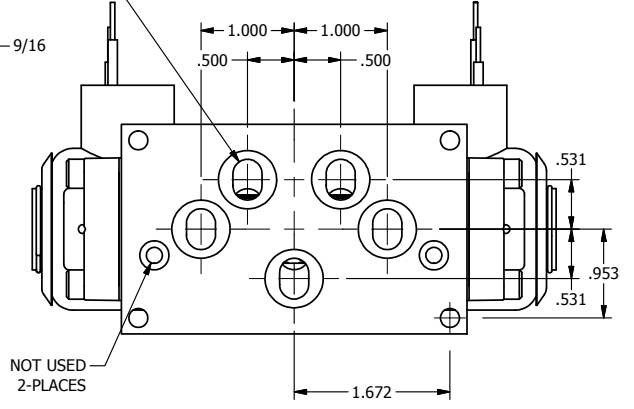
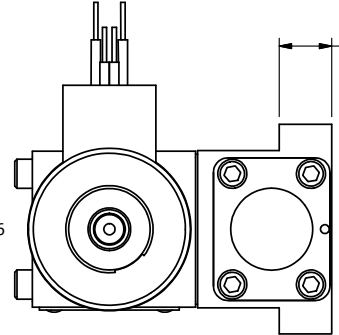
1/2" NPT CONDUIT CONNECTION



1/8" NPTF EXTERNAL PILOT PORT



PORTS 5-PLACES



4

3

2

1

A

A

**AAA**  
 PRODUCTS INTERNATIONAL  
 7114 Harry Hines Blvd  
 Dallas, TX 75235

TITLE: 3/8" SUBPLATE, DBL SOL, 3 POS,  
 SPR CTR, SOL RTRN, REGEN CTR SPL,  
 EXPL PROOF, EXT PILOT

DRAWING NO.:  
 DIM\_SY3PDXZ

THE INFORMATION CONTAINED WITHIN THIS DOCUMENT IS PROPRIETARY TO AAA PRODUCTS AND MAY NOT BE DISCLOSED WITHOUT PRIOR WRITTEN CONSENT