

4

3

2

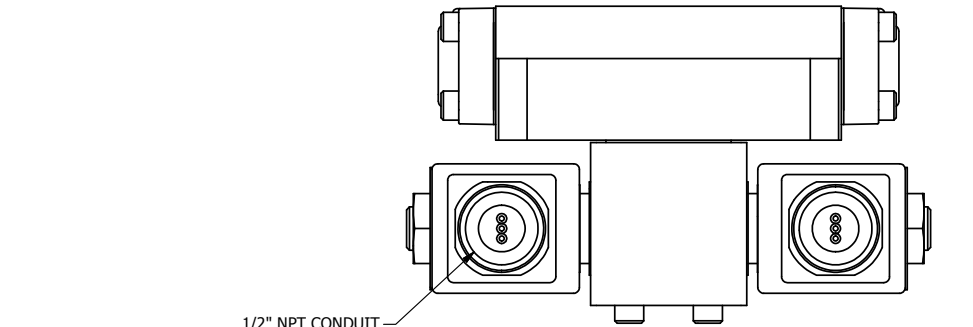
1

B

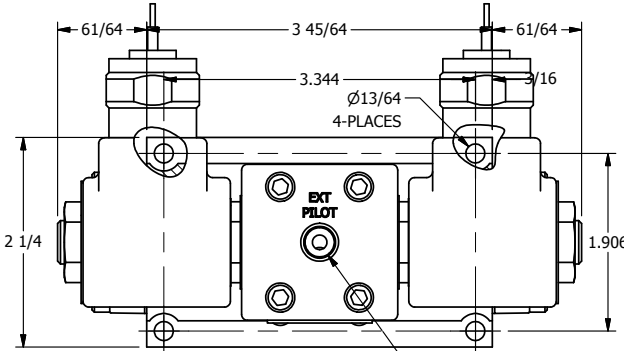
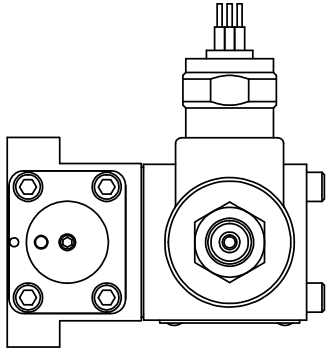
B

A

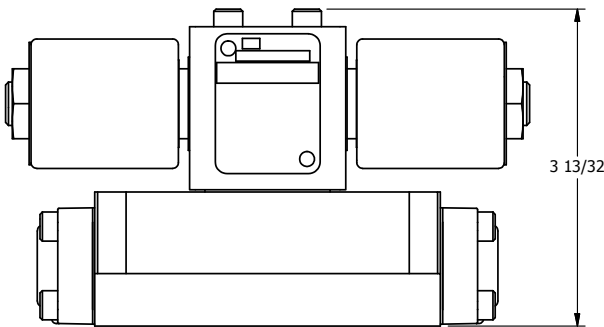
A



1/2" NPT CONDUIT CONNECTION



1/8" NPTF EXTERNAL PILOT PORT

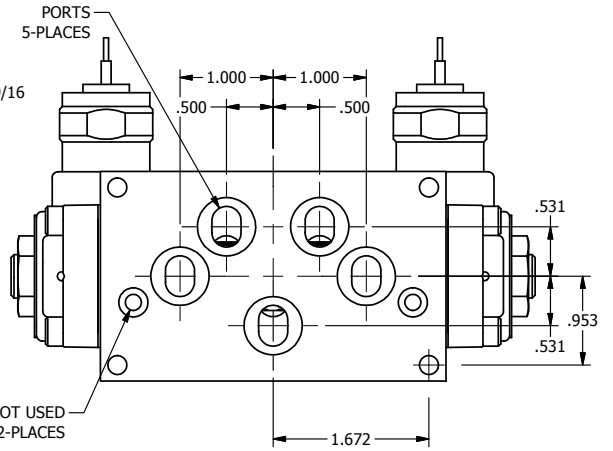


4

3

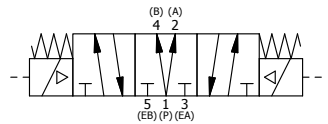
2

1



PORTS 5-PLACES

NOT USED 2-PLACES



**AAA**  
PRODUCTS  
INTERNATIONAL

**AAA PRODUCTS INTERNATIONAL**  
7114 Harry Hines Blvd  
Dallas, TX 75235

TITLE: 3/8" SUBPLATE, DBL SOL, 3 POS,  
SPR CTR, SOL RTRN, REGEN CTR SPL,  
MOLD-OVER, EXT PILOT

DRAWING NO.:  
DIM\_SY3PDMZ

THE INFORMATION CONTAINED WITHIN THIS DOCUMENT IS PROPRIETARY TO AAA PRODUCTS AND MAY NOT BE DISCLOSED WITHOUT PRIOR WRITTEN CONSENT