

4

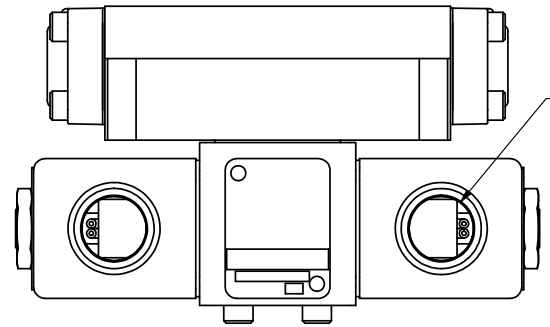
3

2

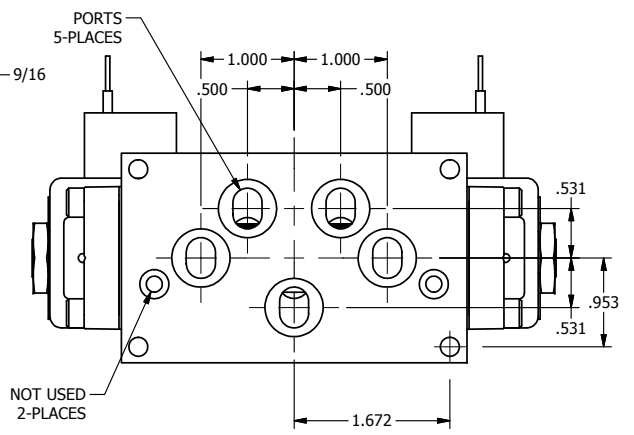
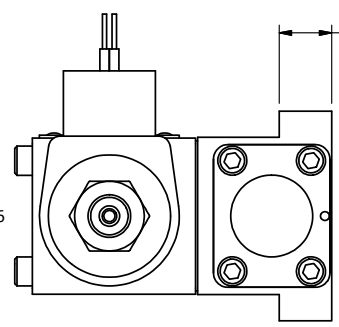
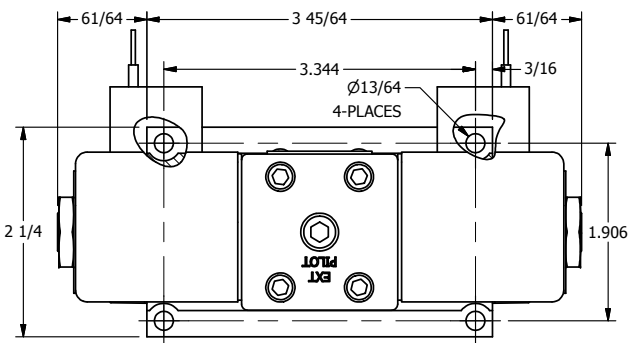
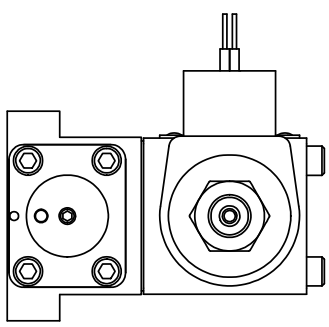
1

B

B

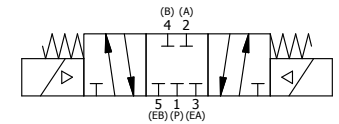
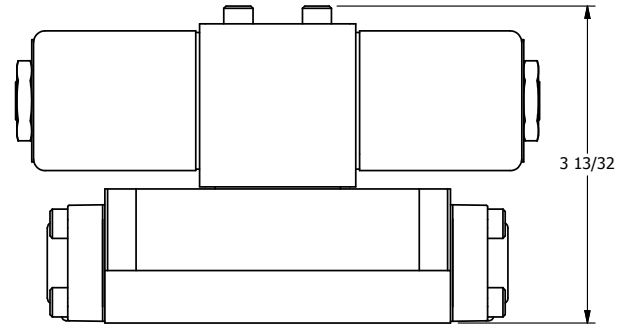


1/2" NPT CONDUIT CONNECTION



A

A



**AAA**  
PRODUCTS  
INTERNATIONAL

**AAA PRODUCTS INTERNATIONAL**  
7114 Harry Hines Blvd  
Dallas, TX 75235

TITLE: 3/8" SUBPLATE, DBL SOL, 3 POS,  
SPR CTR, SOL RTRN, CLSD CTR SPL,  
CLASSIC SOL

PART NO.:  
**DIM\_SY3P**

4

3

2

1

A

A

THE INFORMATION CONTAINED WITHIN THIS DOCUMENT IS PROPRIETARY TO AAA PRODUCTS AND MAY NOT BE DISCLOSED WITHOUT PRIOR WRITTEN CONSENT