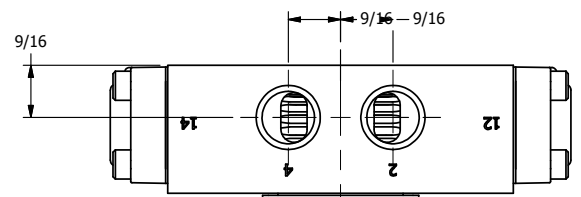


4

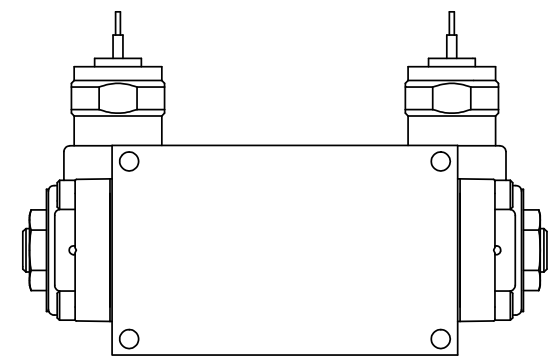
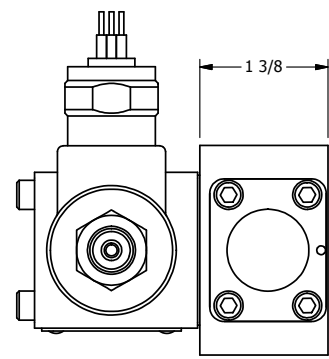
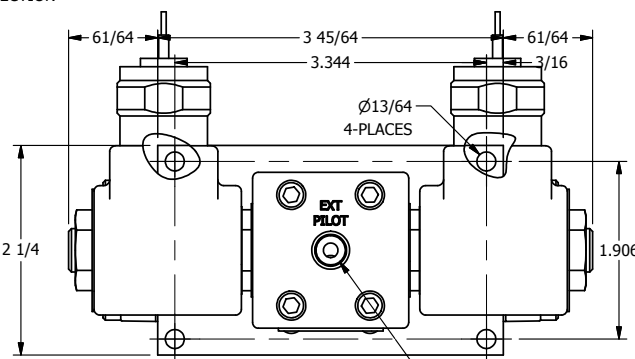
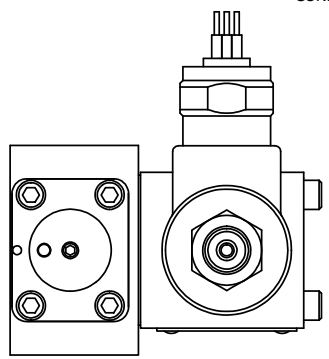
3

2

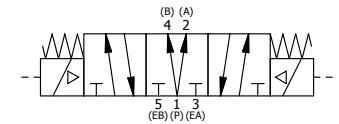
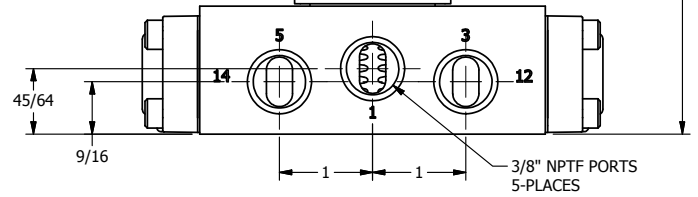
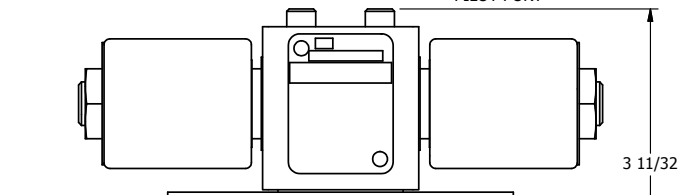
1



1/2" NPT CONDUIT CONNECTION



1/8" NPTF EXTERNAL PILOT PORT



**AAA**  
PRODUCTS  
INTERNATIONAL

**AAA PRODUCTS INTERNATIONAL**  
7114 Harry Hines Blvd  
Dallas, TX 75235

TITLE: 3/8" SIDE PORT, DBL SOL, 3 POS,  
SPR CTR, SOL RTRN, REGEN CTR SPL,  
MOLD-OVER, EXT PILOT

DRAWING NO.:  
DIM\_SY3DMZ

4

3

2

1

THE INFORMATION CONTAINED WITHIN THIS DOCUMENT IS PROPRIETARY TO AAA PRODUCTS AND MAY NOT BE DISCLOSED WITHOUT PRIOR WRITTEN CONSENT