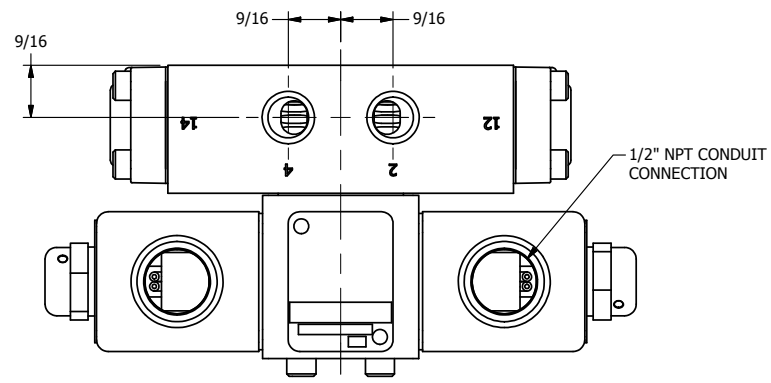


4

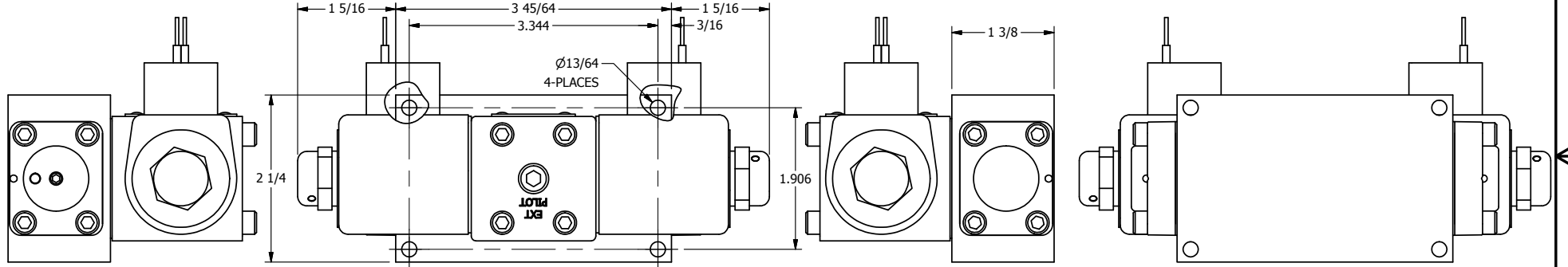
3

2

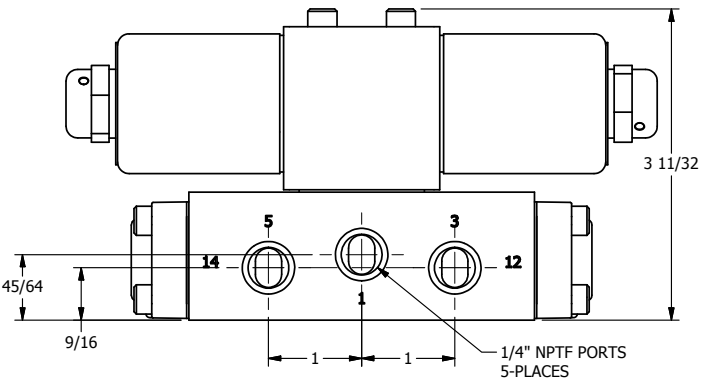
1



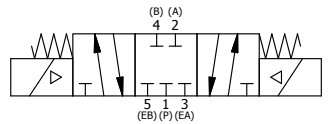
1/2" NPT CONDUIT CONNECTION



EXT
PILOT



1/4" NPTF PORTS
5-PLACES



AAA
PRODUCTS
INTERNATIONAL

**AAA PRODUCTS
INTERNATIONAL**
7114 Harry Hines Blvd
Dallas, TX 75235

TITLE: 1/4" SIDE PORT, DBL SOL, 3 POS,
SPR CTR, SOL RTRN, CLSD CTR SPL,
CLASSIC SOL, DUST EXCLDR

DRAWING NO.:
DIM_SY2L

THE INFORMATION CONTAINED WITHIN THIS DOCUMENT IS PROPRIETARY TO AAA PRODUCTS AND MAY NOT BE DISCLOSED WITHOUT PRIOR WRITTEN CONSENT