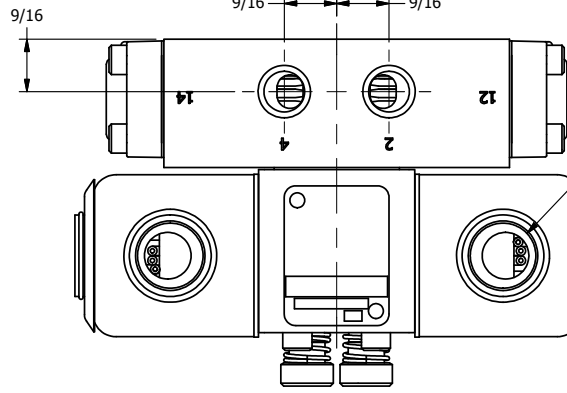


4

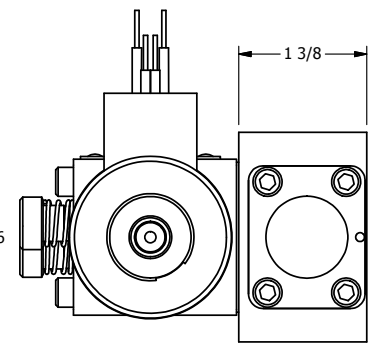
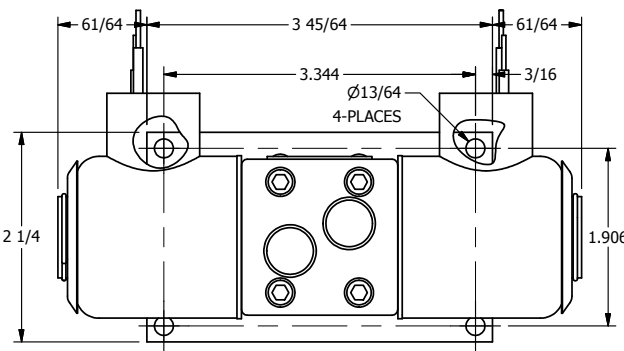
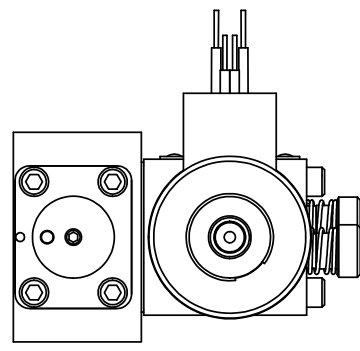
3

2

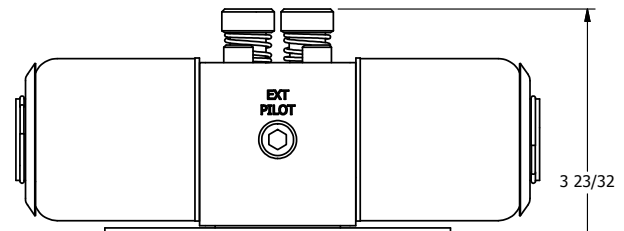
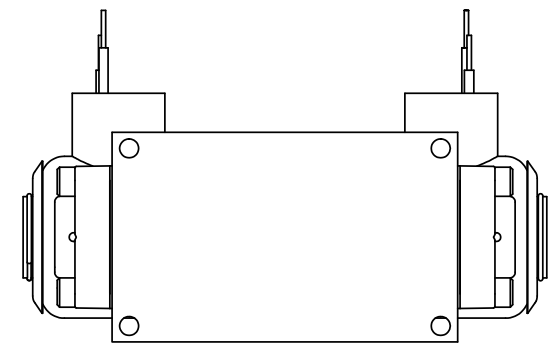
1



1/2" NPT CONDUIT CONNECTION

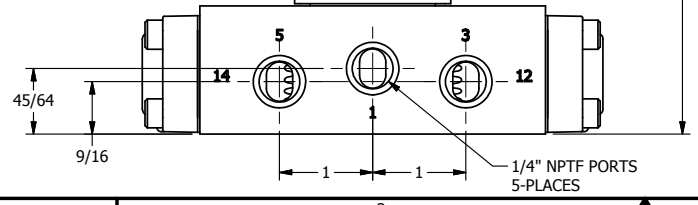


1 3/8

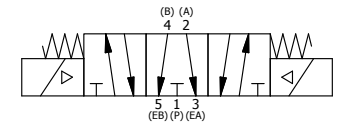


EXT
PILOT

3 23/32



1/4" NPTF PORTS
5-PLACES



AAA
PRODUCTS
INTERNATIONAL

**AAA PRODUCTS
INTERNATIONAL**
7114 Harry Hines Blvd
Dallas, TX 75235

TITLE: 1/4" SIDE PORT, DBL SOL, 3 POS,
SPR CTR, SOL RTRN, FLOAT CTR SPL,
EXPL PROOF, LCKNG OVRD

DRAWING NO.:
DIM_SY2GXO

THE INFORMATION CONTAINED WITHIN THIS DOCUMENT IS PROPRIETARY TO AAA PRODUCTS AND MAY NOT BE DISCLOSED WITHOUT PRIOR WRITTEN CONSENT

4

3

2

1

B

B

A

A