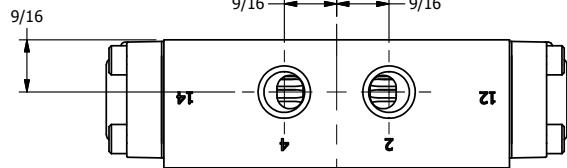


4

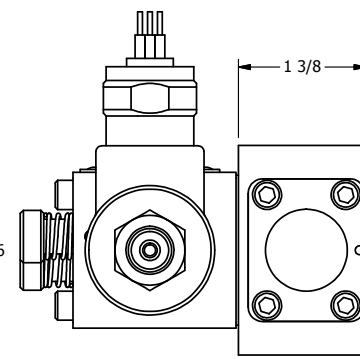
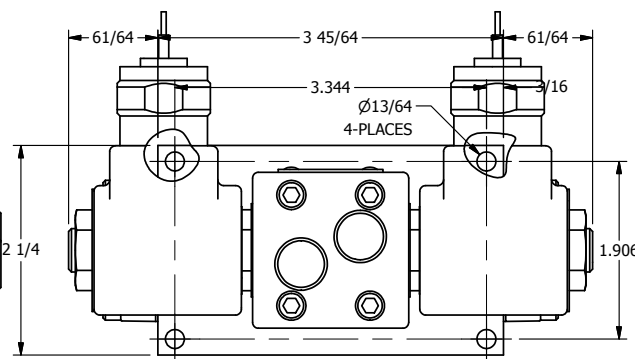
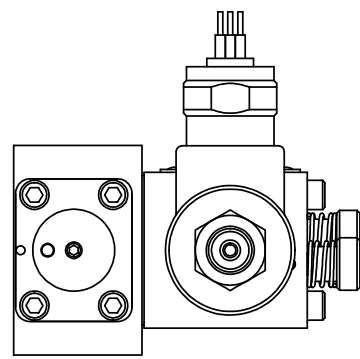
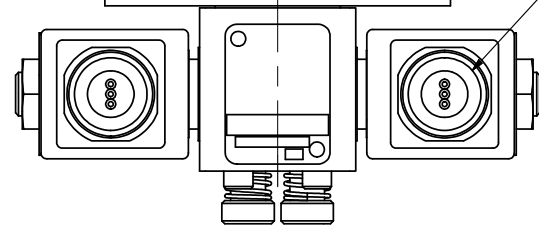
3

2

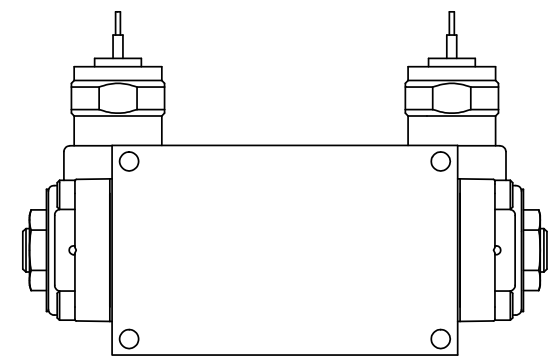
1



1/2" NPT CONDUIT CONNECTION



1 3/8

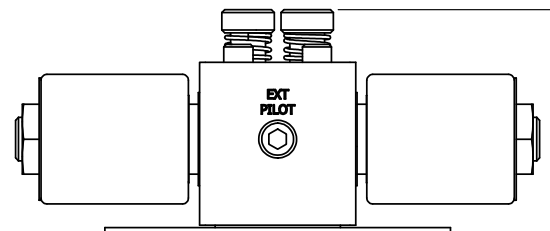


B

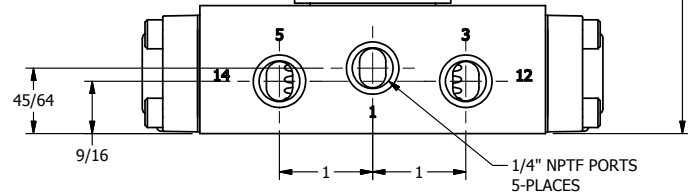
B

A

A



3 23/32



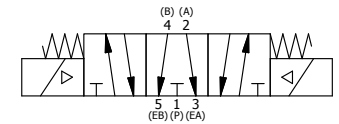
1/4" NPTF PORTS 5-PLACES

4

3

2

1



AAA
PRODUCTS
INTERNATIONAL

AAA PRODUCTS INTERNATIONAL
7114 Harry Hines Blvd
Dallas, TX 75235

TITLE: 1/4" SIDE PORT, DBL SOL, 3 POS,
SPR CTR, SOL RTRN, FLOAT CTR SPL,
MOLD-OVER, PUSH OVRD

DRAWING NO.:
DIM_SY2GMOP

THE INFORMATION CONTAINED WITHIN THIS DOCUMENT IS PROPRIETARY TO AAA PRODUCTS AND MAY NOT BE DISCLOSED WITHOUT PRIOR WRITTEN CONSENT