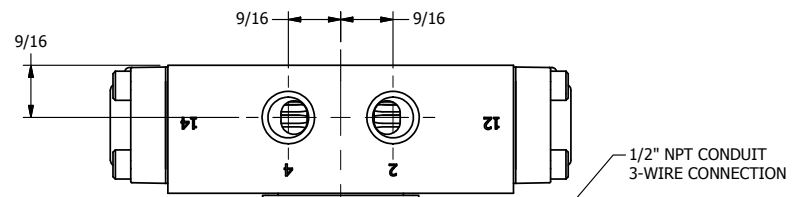


4

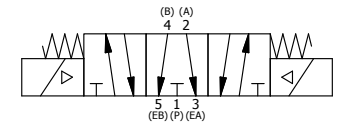
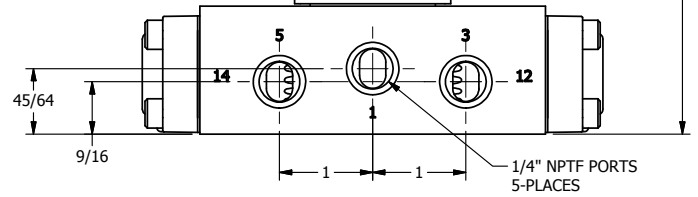
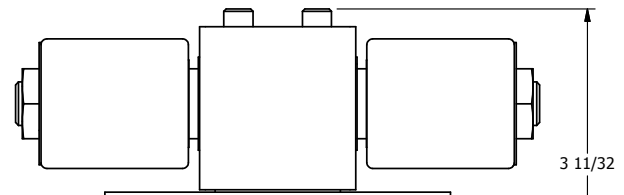
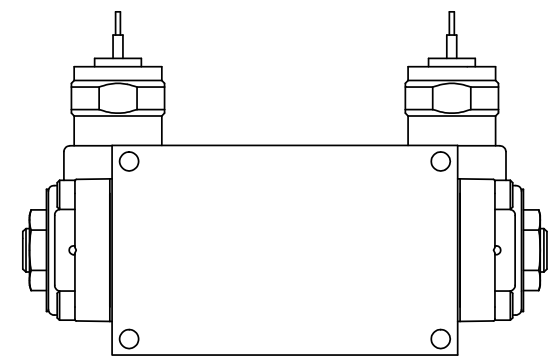
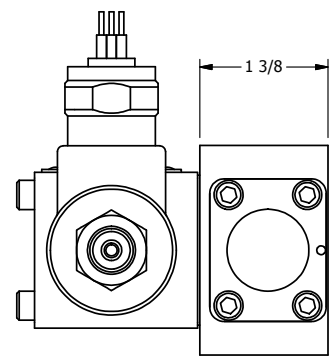
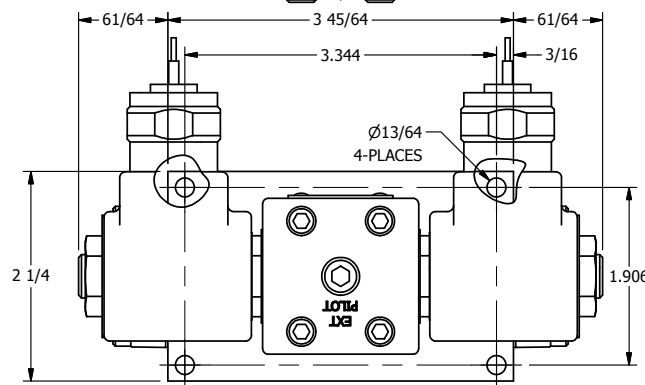
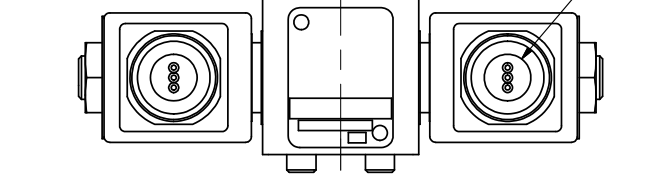
3

2

1



1/2" NPT CONDUIT
3-WIRE CONNECTION



4

3

2

1

AAA
PRODUCTS
INTERNATIONAL

**AAA PRODUCTS
INTERNATIONAL**
7114 Harry Hines Blvd
Dallas, TX 75235

TITLE: 1/4" SIDE PORT, DBL SOL, 3 POS,
SPR CTR, SOL RTRN, FLOAT CTR SPL,
MOLD-OVER

PART NO.:
DIM_SY2GM

THE INFORMATION CONTAINED WITHIN THIS DOCUMENT IS PROPRIETARY TO AAA PRODUCTS AND MAY NOT BE DISCLOSED WITHOUT PRIOR WRITTEN CONSENT