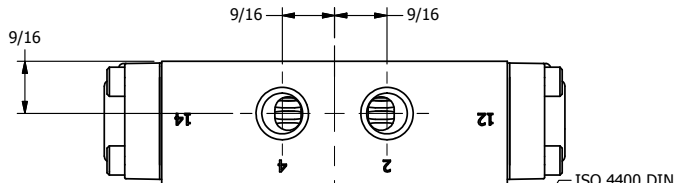


4

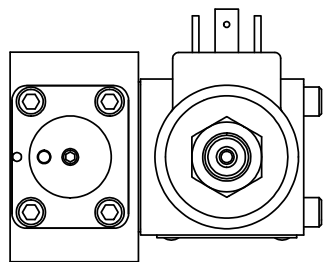
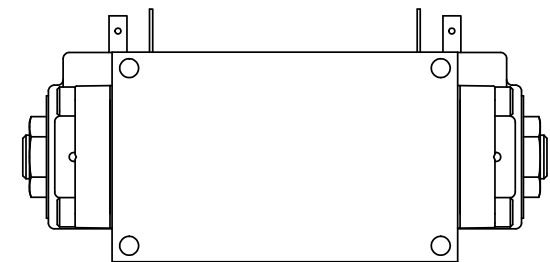
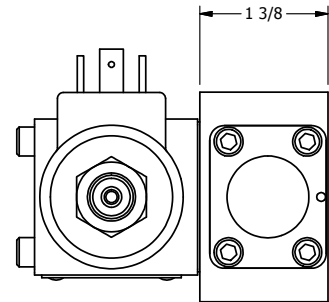
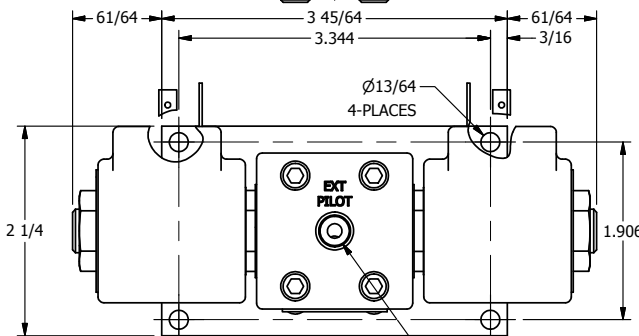
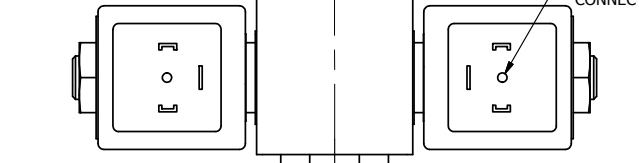
3

2

1



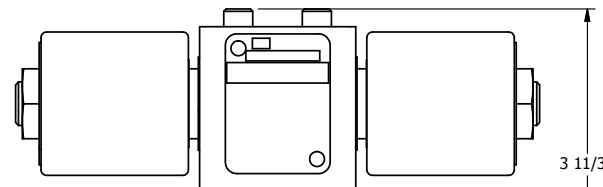
ISO 4400 DIN CONNECTION



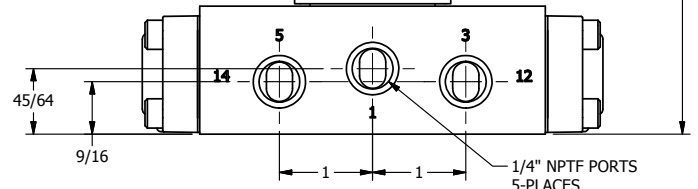
2 1/4

1.906

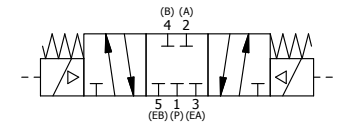
1/8" NPTF EXTERNAL PILOT PORT



3 11/32



1/4" NPTF PORTS 5-PLACES



AAA
PRODUCTS
INTERNATIONAL

AAA PRODUCTS INTERNATIONAL
7114 Harry Hines Blvd
Dallas, TX 75235

TITLE: 1/4" SIDE PORT, DBL SOL, 3 POS,
SPR CTR, SOL RTRN, CLSD CTR SPL,
ISO 4400 DIN, EXT PILOT

DRAWING NO.:
DIM_SY2EDZ

THE INFORMATION CONTAINED WITHIN THIS DOCUMENT IS PROPRIETARY TO AAA PRODUCTS AND MAY NOT BE DISCLOSED WITHOUT PRIOR WRITTEN CONSENT

4

3

2

1

B

B

A

A