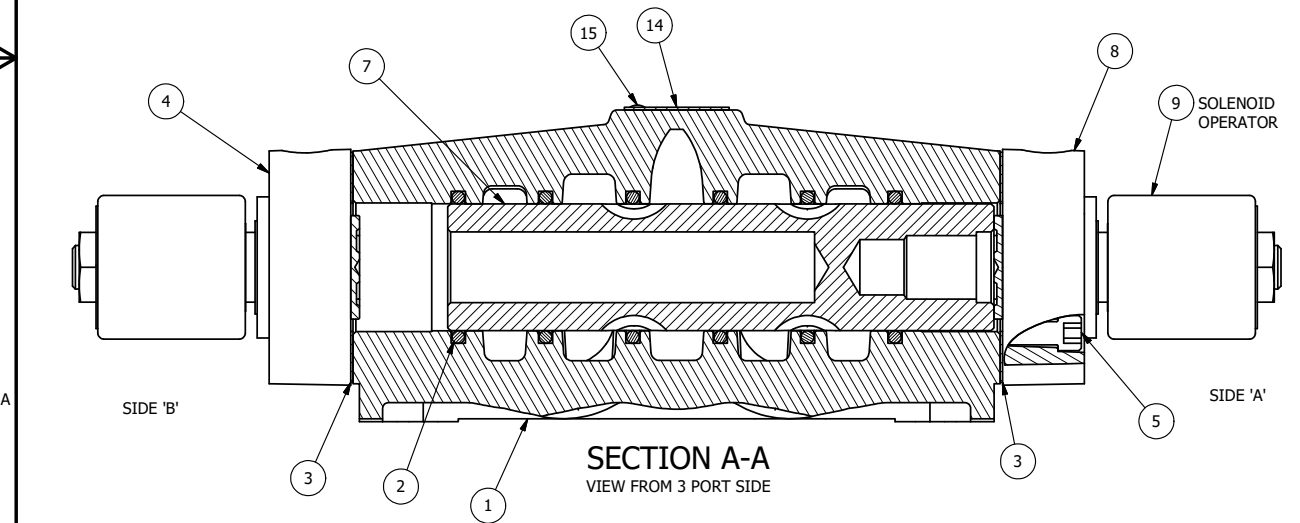


ALIGN PILOT AND HOLE IN GASKET, BOTH SIDES.  
 FOR EXTERNAL PILOT OPERATION - ROTATE THE  
 ROUND ALUMINUM ADAPTOR 90 OR 180 DEGREES.  
 REMOVE 1/8" NPTF PLUG AND SUPPLY 50-160 PSI TO  
 1/8" NPTF PILOT PORT IN ADAPTOR.

NOTES:  
 1) ALWAYS GIVE VALVE MODEL AND PART NUMBER WHEN ORDERING PARTS.  
 2) FOR DIFFERENT VOLTAGES OTHER THAN 120/60, REPLACE SOLENOID  
 OPERATOR WITH OPERATOR LISTED IN TABLE BELOW. REFERENCE AY-38ED  
 DRAWING FOR REPLACEMENT COILS.



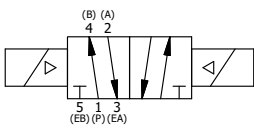
|     |     |            |  |
|-----|-----|------------|--|
| 15  | 2   | V-212      | SCREW, #2 X 3/16 DRIVE, TYPE U, OVAL HEAD, STAINLESS STEEL                   |
| 14  | 1   | AN-115     | NAMEPLATE, BLANK, FOR HE,KE,KD,RR,D,CR,PP,SR,SS VALVES                       |
| 13  | 2   | V-81       | SCREW, 8-32 X 5/16, SOCKET SET, FULL DOG POINT                               |
| 12  | 2   | V-85       | O-RING, BUNA-N, 70 DURO, AS-010, (REF 1/4 X 3/8 X 1/16), CLASSIC OVRD        |
| 11  | 2   | OS3        | SPRING - MANUAL OVERRIDE, "CLASSIC" SOLENOID                                 |
| 10  | 2   | POP-3      | OVERRIDE, PUSH PIN, 303 STAINLESS, 1/4" & 3/8" VALVE                         |
| 9   | 2   | AY-38ED-11 | CLASSIC SOLENOID - ISO 4400 DIN, 120/60                                      |
| 8   | 1   | SSA48-OP   | ADAPTOR, 'A' SIDE, CLASSIC SOL., POP PIN OVERRIDE, 1/2", 3/4" & 1" VALVE     |
| 7   | 1   | S8         | SPOOL - STANDARD, 2 POS, CLSD CTR, 3/4" & 1" VALVE                           |
| 6   | 2   | V-19       | PLUG, SOCKET PIPE 1/8" NPT (#601-3 PITTSBURG PLUG PART #.)                   |
| 5   | 8   | V-47       | SCREW, 1/4-20 X 1, SOCKET HEAD CAP   |
| 4   | 1   | SSA48-OSP  | ADAPTOR, 'B' SIDE, CLASSIC SOL., POP PIN OVERRIDE, 1/2", 3/4" & 1" VALVE     |
| 3   | 2   | ECG48      | GASKET - END CAP, 1/2", 3/4" & 1" VALVE                                      |
| 2   | 6   | V-30       | O-RING, BUNA-N, 70 DURO, AS-220, (REF 1-3/8 X 1-5/8 X 1/8), 3/4" & 1" VALVES |
| 1   | 1   | B8-1       | BODY, 1" SIDE PORT, UPPER PILOTS, ANODIZED                                   |
| FLG | QTY | PART NO    | DESCRIPTION  |

LIMITS ON DIMENSIONS  
 UNLESS OTHERWISE SPECIFIED  
 2-PL DECIMAL ± .01  
 3-PL DECIMAL ± .005  
 FRACTIONAL ± 1/64  
 ANGULAR ± 1/2°

**AAA PRODUCTS INTERNATIONAL**  
 PRODUCTS INTERNATIONAL  
 7114 Harry Hines Blvd  
 Dallas, TX 75235

DRAWN: RMckenna DATE: 3/3/2016 CHECKED: KWaite DATE: 3/3/2016  
 SCALE: 1 : 1 SHEET: 1 OF 1 RELEASED: HWormack DATE: 3/3/2016

| OPERATOR VOLTAGES |                  |
|-------------------|------------------|
| PART NO           | REPLACE OPERATOR |
| SS8EDOP 240/60    | AY-38ED-17       |
| SS8EDOP 24VDC     | AY-38ED-8        |
| SS8EDOP 12VDC     | AY-38ED-5        |



TITLE: 1" SIDE PORT, DBL SOL, 2 POS, FRICTION POS, SOL RTRN, ISO 4400 DIN, 120/60, PUSH OVRD  
 PART NO.: SS8EDOP  
 REV.:

THE INFORMATION CONTAINED WITHIN THIS DOCUMENT IS PROPRIETARY TO AAA PRODUCTS AND MAY NOT BE DISCLOSED WITHOUT PRIOR WRITTEN CONSENT

P:\Engineering\Product Valve Assembly\Classic\SS8EDOP.dwg