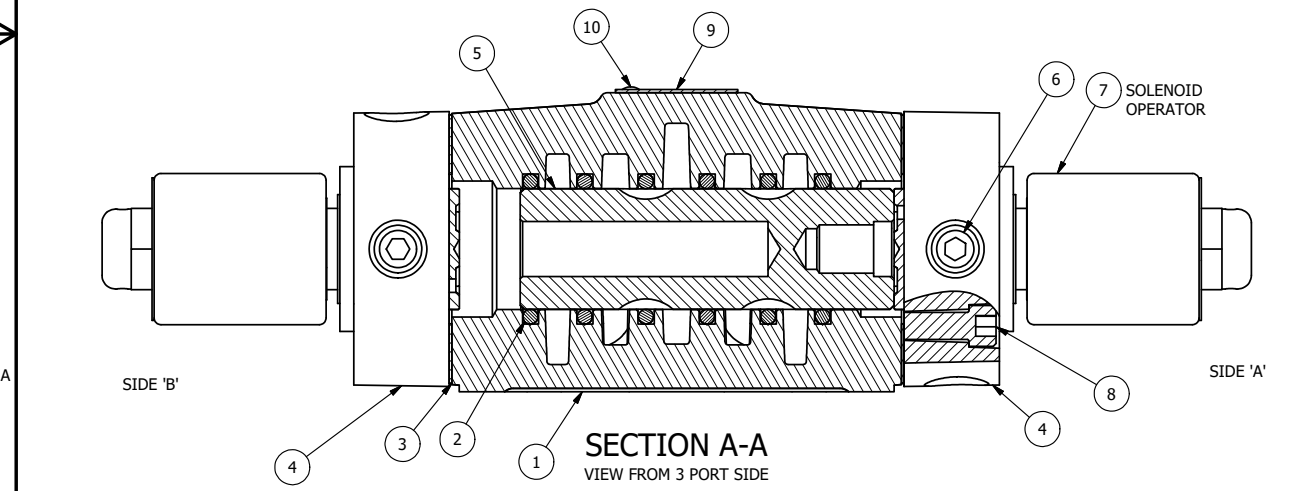


ALIGN PILOT AND HOLE IN GASKET, BOTH SIDES.
 FOR EXTERNAL PILOT OPERATION - ROTATE THE ROUND ALUMINUM ADAPTOR 90 OR 180 DEGREES.
 REMOVE 1/8" NPTF PLUG AND SUPPLY 50-160 PSI TO 1/8" NPTF PILOT PORT IN ADAPTOR.

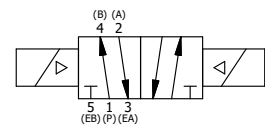
NOTES:
 1) ALWAYS GIVE VALVE MODEL AND PART NUMBER WHEN ORDERING PARTS.
 2) FOR DIFFERENT VOLTAGES OTHER THAN 120/60, REPLACE SOLENOID OPERATOR WITH OPERATOR LISTED IN TABLE BELOW. REFERENCE AY-38ML DRAWING FOR REPLACEMENT COILS.



| FLG | QTY | PART NO | DESCRIPTION |
|-----|-----|------------|--|
| 10 | 2 | V-212 | SCREW, #2 X 3/16 DRIVE, TYPE U, OVAL HEAD, STAINLESS STEEL |
| 9 | 1 | AN-115 | NAMEPLATE, BLANK, FOR HE,KE,KD,RR,D,CR,PP,SR,SS VALVES |
| 8 | 8 | V-47 | SCREW, 1/4-20 X 1, SOCKET HEAD CAP |
| 7 | 2 | AY-38ML-11 | CLASSIC SOLENOID - 1/2" NPT CONDUIT, DUST EXCLDR, 120/60 |
| 6 | 2 | V-19 | PLUG, SOCKET PIPE 1/8" NPT (#601-3 PITTSBURG PLUG PART #.) |
| 5 | 1 | S4 | SPOOL - STANDARD, 2 POS, CLSD CTR, 1/2" VALVE |
| 4 | 2 | SSA48 | ADAPTOR, SOLENOID, 1/2", 3/4" & 1" VALVE |
| 3 | 2 | ECG48 | GASKET - END CAP, 1/2", 3/4" & 1" VALVE |
| 2 | 6 | V-6 | O-RING, BUNA-N, 70 DURO, AS-216, (REF 1-1/8 X 1-3/8 X 1/8), 1/2" VALVES, 1" SUBPLATE |
| 1 | 1 | B4-1 | BODY, 1/2" SIDE PORT, UPPER PILOTS, ANODIZED |

| | | | | | |
|---|--|--|--|--|-----------------|
| LIMITS ON DIMENSIONS UNLESS OTHERWISE SPECIFIED | | 2-PL DECIMAL ± .01 3-PL DECIMAL ± .005 FRACTIONAL ± 1/64 ANGULAR ± 1/2° | | AAA PRODUCTS INTERNATIONAL 7114 Harry Hines Blvd Dallas, TX 75235 | |
| DRAWN: RMckenna | | DATE: 3/9/2016 | | | CHECKED: KWaite |
| SCALE: 7/8 | | SHEET: 1 OF 1 | | RELEASED: HWomack | DATE: 3/9/2016 |
| TITLE: 1/2" SIDE PORT, DBL SOL, 2 POS., FRICTION POS, SOL RTRN, MOLD-OVER, 120/60, DUST EXLDR | | | | PART NO.: | REV.: |
| | | | | SS4ML | |

| OPERATOR VOLTAGES | |
|-------------------|------------------|
| PART NO | REPLACE OPERATOR |
| SS4ML 240/60 | AY-38ML-17 |
| SS4ML 24VDC | AY-38ML-8 |
| SS4ML 12VDC | AY-38ML-5 |



THE INFORMATION CONTAINED WITHIN THIS DOCUMENT IS PROPRIETARY TO AAA PRODUCTS AND MAY NOT BE DISCLOSED WITHOUT PRIOR WRITTEN CONSENT

P:\Engineering\Product\Valve Assembly\Classic\SS4ML.dwg (SS4ML.dwg)