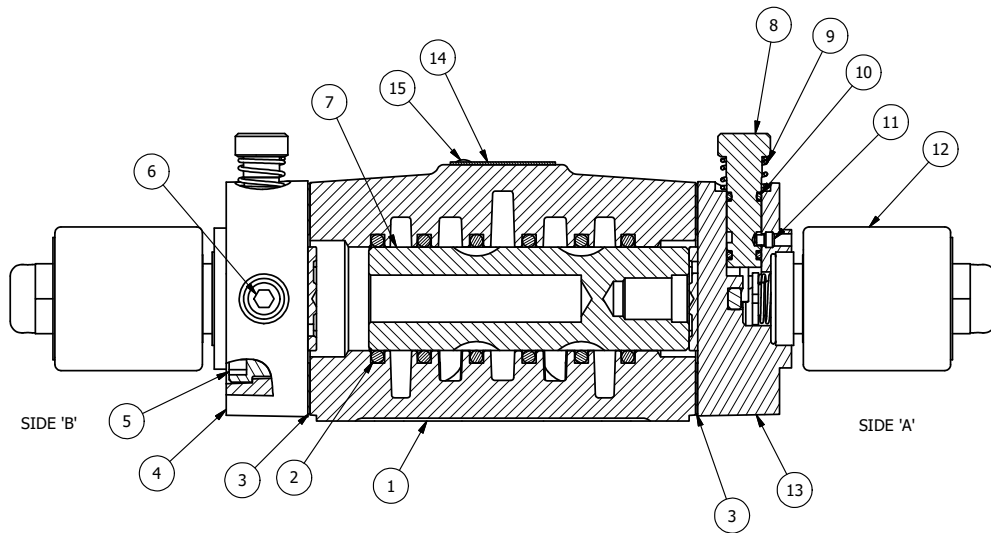


ALIGN PILOT AND HOLE IN GASKET, BOTH SIDES.  
 FOR EXTERNAL PILOT OPERATION - ROTATE THE  
 ROUND ALUMINUM ADAPTOR 90 OR 180 DEGREES.  
 REMOVE 1/8" NPTF PLUG AND SUPPLY 50-160 PSI TO  
 1/8" NPTF PILOT PORT IN ADAPTOR.

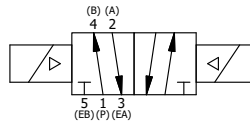
NOTES:

- 1) ALWAYS GIVE VALVE MODEL AND PART NUMBER WHEN ORDERING PARTS.
- 2) FOR DIFFERENT VOLTAGES OTHER THAN 120/60, REPLACE SOLENOID OPERATOR WITH OPERATOR LISTED IN TABLE BELOW. REFERENCE AY-38EDL DRAWING FOR REPLACEMENT COILS.



15	2	V-212	SCREW, #2 X 3/16 DRIVE, TYPE U, OVAL HEAD, STAINLESS STEEL
14	1	AN-115	NAMEPLATE, BLANK, FOR HE,KE,KD,RR,D,CR,PP,SR,SS VALVES
13	1	SSA48-O	ADAPTOR, 'A' SIDE, CLASSIC SOL., OVERRIDE, 1/2", 3/4" & 1" VALVE
12	2	AY-38EDL-11	CLASSIC SOLENOID - ISO 4400 DIN, DUST EXCLUDER NUT, 120/60
11	2	V-81	SCREW, 8-32 X 5/16, SOCKET SET, FULL DOG POINT
10	4	V-85	O-RING, BUNA-N, 70 DURO, AS-010, (REF 1/4 X 3/8 X 1/16), CLASSIC OVRD
9	2	OS3	SPRING - MANUAL OVERRIDE, "CLASSIC" SOLENOID
8	2	OP4	PIN, MANUAL OVERRIDE, 1/2", 3/4" & 1" VALVES
7	1	S4	SPOOL - STANDARD, 2 POS, CLSD CTR, 1/2" VALVE
6	2	V-19	PLUG, SOCKET PIPE 1/8" NPT (#601-3 PITTSBURG PLUG PART #.)
5	8	V-47	SCREW, 1/4-20 X 1, SOCKET HEAD CAP
4	1	SSA48-OS	ADAPTOR, 'B' SIDE, CLASSIC SOL., OVERRIDE, 1/2", 3/4" & 1" VALVE
3	2	ECG48	GASKET - END CAP, 1/2", 3/4" & 1" VALVE
2	6	V-6	O-RING, BUNA-N, 70 DURO, AS-216, (REF 1-1/8 X 1-3/8 X 1/8), 1/2" VALVES, 1" SUBPLATE
1	1	B4-1	BODY, 1/2" SIDE PORT, UPPER PILOTS, ANODIZED
FLG	QTY	PART NO	DESCRIPTION

SECTION A-A  
 SCALE 3/4



OPERATOR VOLTAGES	
PART NO	REPLACE OPERATOR
SS4EDOL 12VDC	AY-38EDL-5
SS4EDOL 24VDC	AY-38EDL-8
SS4EDOL 240/60	AY-38EDL-17

LIMITS ON DIMENSIONS UNLESS OTHERWISE SPECIFIED		2-PL DECIMAL ± .01 3-PL DECIMAL ± .005 FRACTIONAL ± 1/64 ANGULAR ± 1/2°		<b>AAA PRODUCTS INTERNATIONAL</b> 7114 Harry Hines Blvd Dallas, TX 75235
DRAWN: RMckenna		DATE: 4/5/2016		
SCALE: 3/4		SHEET: 1 OF 1		CHECKED: KWaite DATE: 4/5/2016
TITLE: 1/2" SIDE PORT, DBL SOL, 2 POS, FRICTION POS, ISO 4400 DIN, 120/60, LCKNG OVRD, DUST EXCLDR		PART NO.: SS4EDOL		REV.:

THE INFORMATION CONTAINED WITHIN THIS DOCUMENT IS PROPRIETARY TO AAA PRODUCTS AND MAY NOT BE DISCLOSED WITHOUT PRIOR WRITTEN CONSENT