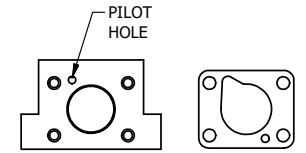


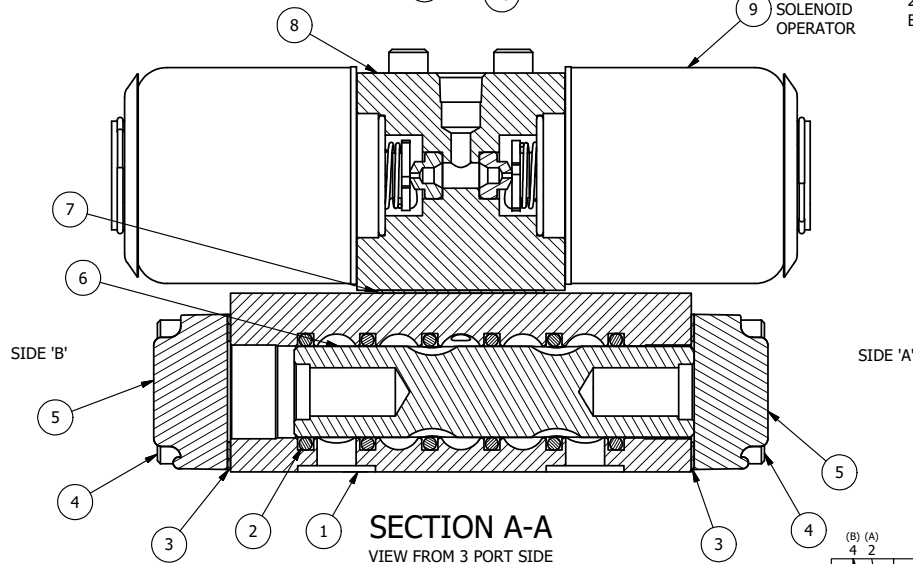
ALIGN HOLES IN GASKET AS SHOWN.  
(PIGGY BACK IS ROTATED 180°. CONNECT SUPPLY PRESSURE - 160 PSI MAX.)



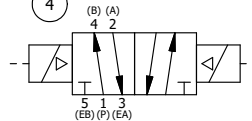
ALIGN PILOT HOLE AND CENTER CUTOUT  
ON BOTH SIDES.

NOTES:

- 1) ALWAYS GIVE VALVE MODEL AND PART NUMBER WHEN ORDERING PARTS.
- 2) FOR DIFFERENT VOLTAGES OTHER THAN 120/60, REPLACE SOLENOID OPERATOR WITH OPERATOR LISTED IN TABLE BELOW.



SECTION A-A  
VIEW FROM 3 PORT SIDE



| OPERATOR VOLTAGES |                  |
|-------------------|------------------|
| PART NO           | REPLACE OPERATOR |
| SS3PXZ 240/60     | AY-38X-17        |
| SS3PXZ 24VDC      | AY-38X-8         |
| SS3PXZ 12VDC      | AY-38X-5         |

| FLG | QTY | PART NO   | DESCRIPTION   |
|-----|-----|-----------|---|
| 13  | 1   | SPK-3     | KIT - SUBPLATE MOUNTING, 3/8" SUBPLATE VALVES                     |
| 12  | 2   | V-212     | SCREW, #2 X 3/16 DRIVE, TYPE U, OVAL HEAD, STAINLESS STEEL        |
| 11  | 1   | AN-115    | NAMEPLATE, BLANK, FOR HE,KE,RR,D,CR,PP,SR,SS VALVES               |
| 10  | 4   | V-1       | SCREW, 10-24 X 2, SOCKET HEAD CAP                                 |
| 9   | 2   | AY-38X-11 | CLASSIC SOLENOID - EXPLOSION PROOF, 120/60VAC, 38.5VDC, 110/50VAC |
| 8   | 1   | PB3-2E    | ADAPTOR - DOUBLE SOLENOID, 1/4" & 3/8" VALVES                     |
| 7   | 1   | PBG3      | GASKET - PIGGY BACK, DOUBLE SOLENOID, 1/4" & 3/8" VALVE           |
| 6   | 1   | S3R       | SPOOL - SOLID, STANDARD, 2 POS, CLSD CTR, 1/4" & 3/8" VALVE       |
| 5   | 2   | SEC3-1    | END CAP, NON-VENTED, 380 AL, 1/4" & 3/8" VALVES                   |
| 4   | 8   | V-38      | SCREW, 10-24 X 3/4, SOCKET HEAD CAP                               |
| 3   | 2   | ECG3      | GASKET - END CAP, 1/4" & 3/8" VALVE                               |
| 2   | 6   | V-39      | O-RING, VITON, STD BODY, 1/4" & 3/8" VALVES                       |
| 1   | 1   | BP3-6E    | BODY - SOLID, PIGGY BACK, ANODIZED, 3/8" SUBPLATE VALVE           |

|  |  |
|--|--|
| LIMITS ON DIMENSIONS<br>UNLESS OTHERWISE SPECIFIED<br>2-PL DECIMAL ± .01<br>3-PL DECIMAL ± .005<br>FRACTIONAL ± 1/64<br>ANGULAR ± 1/2° | <b>AAA PRODUCTS INTERNATIONAL</b><br>7114 Harry Hines Blvd<br>Dallas, TX 75235 |
| DRAWN: RMcKenna<br>SCALE: 1 : 1  | DATE: 3/17/2016<br>SHEET: 1 OF 1   |
| CHECKED: KWaite<br>RELEASED: HWomack   | DATE: 3/17/2016  |
| TITLE:<br><b>3/8" SUBPLATE, DBL SOL, 2 POS,<br/>         FRICTION POS, SOL RTRN,<br/>         EXPL PROOF, 120/60, EXT PILOT</b>        | PART NO.:<br><b>SS3PXZ</b>   |

THE INFORMATION CONTAINED WITHIN THIS DOCUMENT IS PROPRIETARY TO AAA PRODUCTS AND MAY NOT BE DISCLOSED WITHOUT PRIOR WRITTEN CONSENT