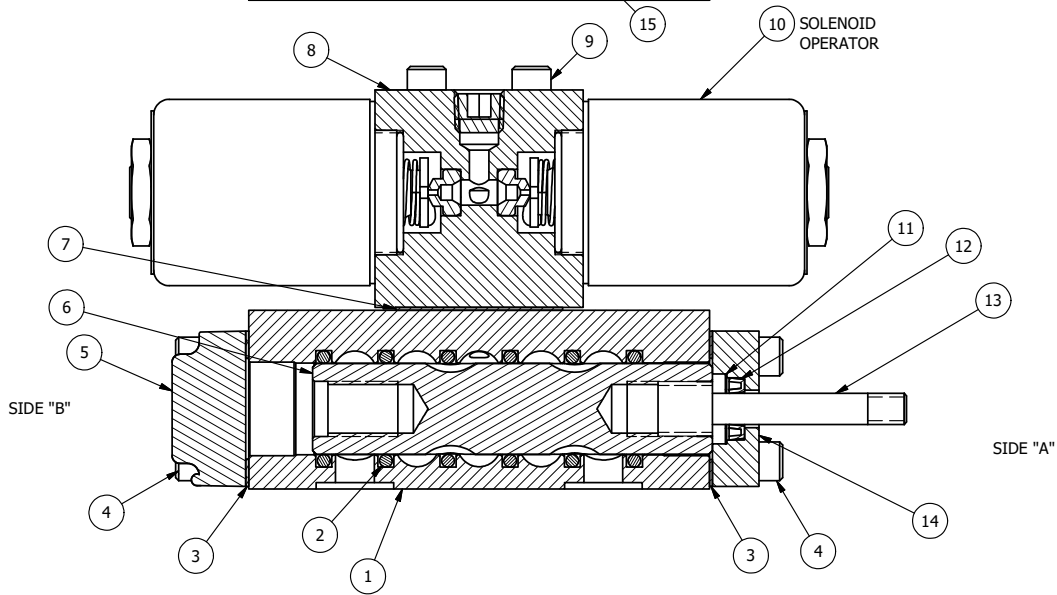


POSITION GASKET ON END OF VALVE SO MOUNTING HOLES ALIGN BOTH ENDS (SIDE 'A' SHOWN)

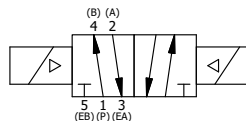
ALIGN HOLES IN GASKET AS SHOWN. (FOR EXTERNAL PILOT PRESSURE, REMOVE PIGGY BACK BLOCK AND ROTATE 180°. LEAVE GASKET AS SHOWN. REMOVE 1/8" PLUG AND CONNECT SUPPLY PRESSURE - 160 PSI MAX.)

NOTES:

- 1) ALWAYS GIVE VALVE MODEL, AND PART NUMBER WHEN ORDERING PARTS.
- 2) FOR DIFFERENT VOLTAGES OTHER THAN 120/60, REPLACE SOLENOID OPERATOR WITH OPERATOR LISTED IN TABLE BELOW. SEE DRAWING AY-38T FOR SOLENOID ASSEMBLY.



SECTION A-A
SCALE 1 : 1
VIEW FROM 3 PORT SIDE



| OPERATOR VOLTAGES | |
|-------------------|------------------|
| PART NO | REPLACE OPERATOR |
| SS3PTK 12VDC | AY-38T-5 |
| SS3PTK 24VDC | AY-38T-8 |
| SS3PTK 240/60 | AY-38T-17 |

| | | | |
|-----|-----|-----------|--|
| 18 | 1 | SPK-3 | KIT - SUBPLATE MOUNTING, 3/8" SUBPLATE VALVES |
| 17 | 2 | V-212 | SCREW, #2 X 3/16 DRIVE, TYPE U, OVAL HEAD, STAINLESS STEEL |
| 16 | 1 | AN-115 | NAMEPLATE, BLANK, FOR HE,KE,KD,RR,D,CR,PP,SR,SS VALVES |
| 15 | 1 | V-19 | PLUG, SOCKET PIPE 1/8" NPT (#601-3 PITTSBURG PLUG PART #.) |
| 14 | 1 | PEC3-5 | END CAP, INDICATOR PIN, WIPER CAVITY, 6061-T6, 1/4" & 3/8" VALVE |
| 13 | 1 | PIK3 | PIN, SPOOL OVERRIDE, 303 STAINLESS, 1/4" & 3/8" VALVES |
| 12 | 1 | V-78 | U-CUP, 1/2 X 1/4 X 1/8, NITRILE |
| 11 | 1 | V-119 | RING,CIRCULAR PUSH ON TYPE FOR INDICATOR PIN |
| 10 | 2 | AY-38T-11 | CLASSIC SOLENOID - STANDARD, COMPLETE OPER, TAPPED EXH., 120/60 |
| 9 | 4 | V-1 | SCREW, 10-24 X 2, SOCKET HEAD CAP |
| 8 | 1 | PB3-2E | ADAPTOR - DOUBLE SOLENOID, 1/4" & 3/8" VALVES |
| 7 | 1 | PBG3 | GASKET - PIGGY BACK, DOUBLE SOLENOID, 1/4" & 3/8" VALVE |
| 6 | 1 | S3R | SPOOL - SOLID, STANDARD, 2 POS, CLSD CTR, 1/4" & 3/8" VALVE |
| 5 | 1 | SEC3-1 | END CAP, NON-VENTED, 380 AL, 1/4" & 3/8" VALVES |
| 4 | 8 | V-38 | SCREW, 10-24 X 3/4, SOCKET HEAD CAP |
| 3 | 2 | ECG3 | GASKET - END CAP, 1/4" & 3/8" VALVE |
| 2 | 6 | V-39 | O-RING, VITON, STD BODY, 1/4" & 3/8" VALVES |
| 1 | 1 | BP3-6E | BODY - SOLID, PIGGY BACK, ANODIZED, 3/8" SUBPLATE VALVE |
| FLG | QTY | PART NO | DESCRIPTION |

LIMITS ON DIMENSIONS UNLESS OTHERWISE SPECIFIED
2-PL DECIMAL ± .01
3-PL DECIMAL ± .005
FRACTIONAL ± 1/64
ANGULAR ± 1/2°



DRAWN: RMckenna DATE: 4/16/2020
SCALE: 1 : 1 SHEET: 1 OF 1

CHECKED: KWaite DATE: 4/16/2020
RELEASED: HWormack DATE: 4/16/2020

TITLE:
3/8" SUBPLATE, DBL SOL, 2 POS,
SOL RTN, CLASSIC, 120/60,
TPD VENT, THD PIN

PART NO.:
SS3PTK
REV.:

THE INFORMATION CONTAINED WITHIN THIS DOCUMENT IS PROPRIETARY TO AAA PRODUCTS AND MAY NOT BE DISCLOSED WITHOUT PRIOR WRITTEN CONSENT

P:\Engineering\product\Valve Assembly\Classic\SS3PTK.dwg