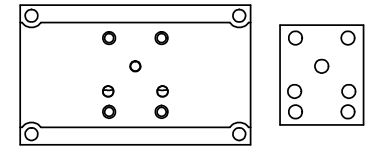


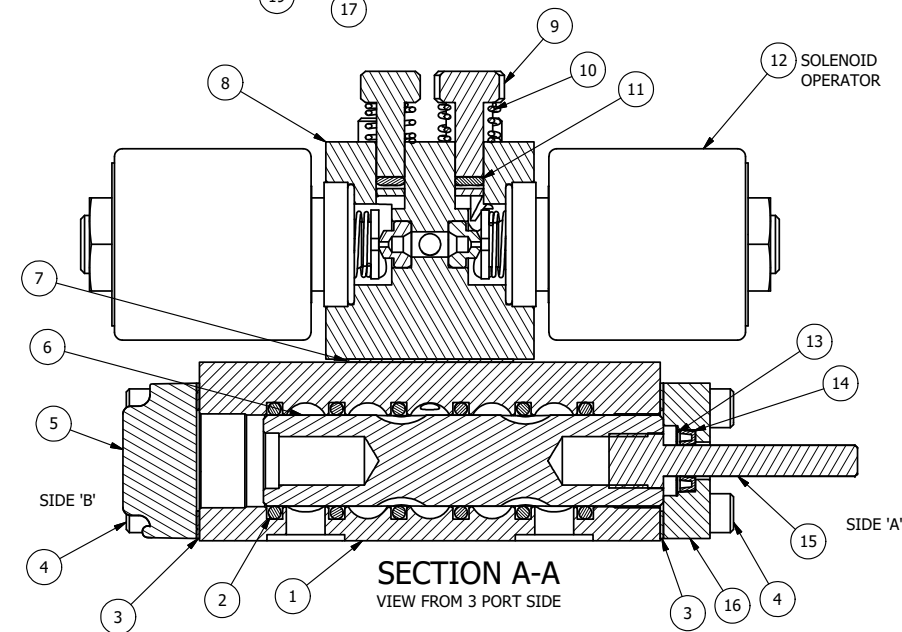
ALIGN PILOT HOLE AND CENTER CUTOUT ON BOTH SIDES.



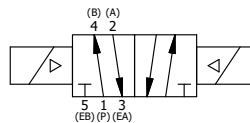
ALIGN HOLES IN GASKET AS SHOWN.
(FOR EXTERNAL PILOT PRESSURE, REMOVE PIGGY BACK BLOCK AND ROTATE 180°. LEAVE GASKET AS SHOWN. REMOVE 1/8" PLUG AND CONNECT SUPPLY PRESSURE - 160 PSI MAX.)

NOTES:

- 1) ALWAYS GIVE VALVE MODEL AND PART NUMBER WHEN ORDERING PARTS.
- 2) FOR DIFFERENT VOLTAGES OTHER THAN 120/60, REPLACE SOLENOID OPERATOR WITH OPERATOR LISTED IN TABLE BELOW. REFERENCE AY-38EDT DRAWING FOR REPLACEMENT COILS.



SECTION A-A
VIEW FROM 3 PORT SIDE



22	1	SPK-3	KIT - SUBPLATE MOUNTING, 3/8" SUBPLATE VALVES
21	2	V-212	SCREW, #2 X 3/16 DRIVE, TYPE U, OVAL HEAD, STAINLESS STEEL
20	1	AN-115	NAMEPLATE, BLANK, FOR HE,KE,KD,RR,D,CR,PP,SR,SS VALVES
19	4	V-1	SCREW, 10-24 X 2, SOCKET HEAD CAP
18	2	V-81	SCREW, 8-32 X 5/16, SOCKET SET, FULL DOG POINT
17	1	V-19	PLUG, SOCKET PIPE 1/8" NPT (#601-3 PITTSBURG PLUG PART #.)
16	1	PEC3-5	END CAP, INDICATOR PIN, WIPER CAVITY, 6061-T6, 1/4" & 3/8" VALVE
15	1	PIK3	PIN, SPOOL OVERRIDE, 303 STAINLESS, 1/4" & 3/8" VALVES
14	1	V-78	U-CUP, 1/2 X 1/4 X 1/8, NITRILE
13	1	V-119	RING,CIRCULAR PUSH ON TYPE FOR INDICATOR PIN
12	2	AY-38EDT-11	CLASSIC SOLENOID - ISO 4400 DIN, 1/8" NPTF SOL EXHST, 120/60
11	2	V-85	O-RING, BUNA-N, 70 DURO, AS-010, (REF 1/4 X 3/8 X 1/16), CLASSIC OVRD
10	2	OS3	SPRING - MANUAL OVERRIDE, "CLASSIC" SOLENOID
9	2	POP-3	OVERRIDE, PUSH PIN, 303 STAINLESS, 1/4" & 3/8" VALVE
8	1	PB3-4E	ADAPTOR - DBL SOL., W/OVERRIDE, 1/4" & 3/8" VALVES
7	1	PBG3	GASKET - PIGGY BACK, DOUBLE SOLENOID, 1/4" & 3/8" VALVE
6	1	S3R	SPOOL - SOLID, STANDARD, 2 POS, CLSD CTR, 1/4" & 3/8" VALVE
5	1	SEC3-1	END CAP, NON-VENTED, 380 AL, 1/4" & 3/8" VALVES
4	8	V-38	SCREW, 10-24 X 3/4, SOCKET HEAD CAP
3	2	ECG3	GASKET - END CAP, 1/4" & 3/8" VALVE
2	6	V-39	O-RING, VITON, STD BODY, 1/4" & 3/8" VALVES
1	1	BP3-6E	BODY - SOLID, PIGGY BACK, ANODIZED, 3/8" SUBPLATE VALVE
FLG	QTY	PART NO	DESCRIPTION

LIMITS ON DIMENSIONS UNLESS OTHERWISE SPECIFIED		2-PL DECIMAL ± .01 3-PL DECIMAL ± .005 FRACTIONAL ± 1/64 ANGULAR ± 1/2°	AAA PRODUCTS INTERNATIONAL 7114 Harry Hines Blvd Dallas, TX 75235								
DRAWN: RMckenna	DATE: 4/21/2020	CHECKED: KWaite		DATE: 4/21/2020							
SCALE: 1 : 1	SHEET: 1 OF 1	RELEASED: HWomack	DATE: 4/21/2020								
TITLE: 3/8" SUBPLATE, DBL SOL, 2 POS, SOL RTN, ISO 4400 DIN, 120/60, PUSH OVRD, TPD VENT, THD PIN		PART NO.:	REV.:								
OPERATOR VOLTAGES <table border="1"> <thead> <tr> <th>PART NO</th> <th>REPLACE OPERATOR</th> </tr> </thead> <tbody> <tr> <td>SS3PEDOPTK 12VDC</td> <td>AY-38EDT-5</td> </tr> <tr> <td>SS3PEDOPTK 24VDC</td> <td>AY-38EDT-8</td> </tr> <tr> <td>SS3PEDOPTK 240/60</td> <td>AY-38EDT-17</td> </tr> </tbody> </table>		PART NO	REPLACE OPERATOR	SS3PEDOPTK 12VDC	AY-38EDT-5	SS3PEDOPTK 24VDC	AY-38EDT-8	SS3PEDOPTK 240/60	AY-38EDT-17	SS3PEDOPTK	
PART NO	REPLACE OPERATOR										
SS3PEDOPTK 12VDC	AY-38EDT-5										
SS3PEDOPTK 24VDC	AY-38EDT-8										
SS3PEDOPTK 240/60	AY-38EDT-17										

THE INFORMATION CONTAINED WITHIN THIS DOCUMENT IS PROPRIETARY TO AAA PRODUCTS AND MAY NOT BE DISCLOSED WITHOUT PRIOR WRITTEN CONSENT