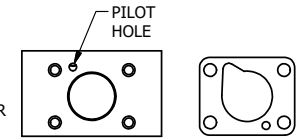
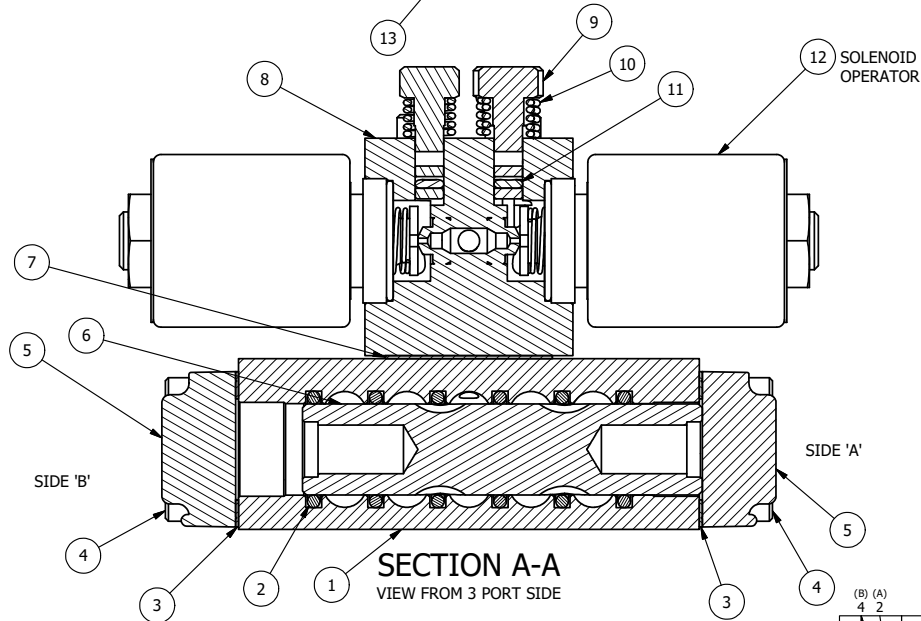


ALIGN HOLES IN GASKET AS SHOWN.  
 (FOR EXTERNAL PILOT PRESSURE, REMOVE PIGGY BACK BLOCK AND ROTATE 180°. LEAVE GASKET AS SHOWN. REMOVE 1/8" PLUG AND CONNECT SUPPLY PRESSURE - 160 PSI MAX.)

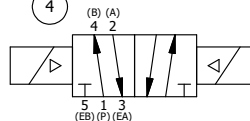
NOTES:  
 1) ALWAYS GIVE VALVE MODEL AND PART NUMBER WHEN ORDERING PARTS.  
 2) FOR DIFFERENT VOLTAGES OTHER THAN 120/60, REPLACE SOLENOID OPERATOR WITH OPERATOR LISTED IN TABLE BELOW. REFERENCE AY-38M DRAWING FOR REPLACEMENT COILS.



ALIGN PILOT HOLE AND CENTER CUTOUT ON BOTH SIDES.



SECTION A-A  
 VIEW FROM 3 PORT SIDE



|     |     |           |   |
|-----|-----|-----------|---|
| 17  | 2   | V-212     | SCREW, #2 X 3/16 DRIVE, TYPE U, OVAL HEAD, STAINLESS STEEL            |
| 16  | 1   | AN-115    | NAMEPLATE, BLANK, FOR HE,KE,KD,RR,D,CR,PP,SR,SS VALVES                |
| 15  | 2   | V-81      | SCREW, 8-32 X 5/16, SOCKET SET, FULL DOG POINT                        |
| 14  | 4   | V-1       | SCREW, 10-24 X 2, SOCKET HEAD CAP                                     |
| 13  | 1   | V-19      | PLUG, SOCKET PIPE 1/8" NPT (#601-3 PITTSBURG PLUG PART #.)            |
| 12  | 2   | AY-38M-11 | CLASSIC SOLENOID - 1/2" NPT CONDUIT, 120/60                           |
| 11  | 2   | V-85      | O-RING, BUNA-N, 70 DURO, AS-010, (REF 1/4 X 3/8 X 1/16), CLASSIC OVRD |
| 10  | 2   | OS3W      | SPRING - OVERRIDE RETURN, "CLASSIC" SOLENOID                          |
| 9   | 2   | OP3-W     | OVERRIDE PIN - SPRING RETURN, 1/4" & 3/8" VALVE                       |
| 8   | 1   | PB3-4EW   | ADAPTOR - DBL SOL., NON-LOCKING OVERRIDE, 1/4" & 3/8" VALVE           |
| 7   | 1   | PBG3      | GASKET - PIGGY BACK, DOUBLE SOLENOID, 1/4" & 3/8" VALVE               |
| 6   | 1   | S3R       | SPOOL - SOLID, STANDARD, 2 POS, CLSD CTR, 1/4" & 3/8" VALVE           |
| 5   | 2   | SEC3-1    | END CAP, NON-VENTED, 380 AL, 1/4" & 3/8" VALVES                       |
| 4   | 8   | V-38      | SCREW, 10-24 X 3/4, SOCKET HEAD CAP                                   |
| 3   | 2   | ECG3      | GASKET - END CAP, 1/4" & 3/8" VALVE                                   |
| 2   | 6   | V-39      | O-RING, VITON, STD BODY, 1/4" & 3/8" VALVES                           |
| 1   | 1   | B3-6E     | BODY - SOLID, PIGGY BACK, ANODIZED, 3/8" SIDE PORT VALVE              |
| FLG | QTY | PART NO   | DESCRIPTION   |

| LIMITS ON DIMENSIONS<br>UNLESS OTHERWISE SPECIFIED  |                  | 2-PL DECIMAL ± .01<br>3-PL DECIMAL ± .005<br>FRACTIONAL ± 1/64<br>ANGULAR ± 1/2° | <b>AAA PRODUCTS INTERNATIONAL</b><br>7114 Harry Hines Blvd<br>Dallas, TX 75235 |                |           |              |          |              |          |        |  |
|---|------------------|--|--|----------------|-----------|--------------|----------|--------------|----------|--------|--|
| DRAWN: RMckenna   | DATE: 2/6/2016   | CHECKED: KWaite  |  | DATE: 2/8/2016 |           |              |          |              |          |        |  |
| SCALE: 1 : 1  | SHEET: 1 OF 1    | RELEASED: HWomack  | DATE: 2/8/2016   |                |           |              |          |              |          |        |  |
| TITLE:<br><b>3/8" SIDE PORT, DBL SOL, 2 POS, SOL RTRN, MOLD-OVER, 120/60, NON-LCKNG OVRD</b>  |                  | PART NO.:  | REV.:  |                |           |              |          |              |          |        |  |
| OPERATOR VOLTAGES<br><table border="1"> <tr> <th>PART NO</th> <th>REPLACE OPERATOR</th> </tr> <tr> <td>SS3MON 240/60</td> <td>AY-38M-17</td> </tr> <tr> <td>SS3MON 24VDC</td> <td>AY-38M-8</td> </tr> <tr> <td>SS3MON 12VDC</td> <td>AY-38M-5</td> </tr> </table> |                  | PART NO  | REPLACE OPERATOR   | SS3MON 240/60  | AY-38M-17 | SS3MON 24VDC | AY-38M-8 | SS3MON 12VDC | AY-38M-5 | SS3MON |  |
| PART NO   | REPLACE OPERATOR |  |  |                |           |              |          |              |          |        |  |
| SS3MON 240/60   | AY-38M-17        |  |  |                |           |              |          |              |          |        |  |
| SS3MON 24VDC  | AY-38M-8         |  |  |                |           |              |          |              |          |        |  |
| SS3MON 12VDC  | AY-38M-5         |  |  |                |           |              |          |              |          |        |  |

THE INFORMATION CONTAINED WITHIN THIS DOCUMENT IS PROPRIETARY TO AAA PRODUCTS AND MAY NOT BE DISCLOSED WITHOUT PRIOR WRITTEN CONSENT