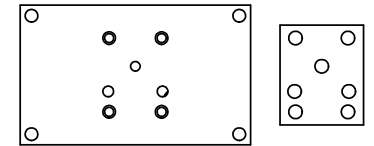


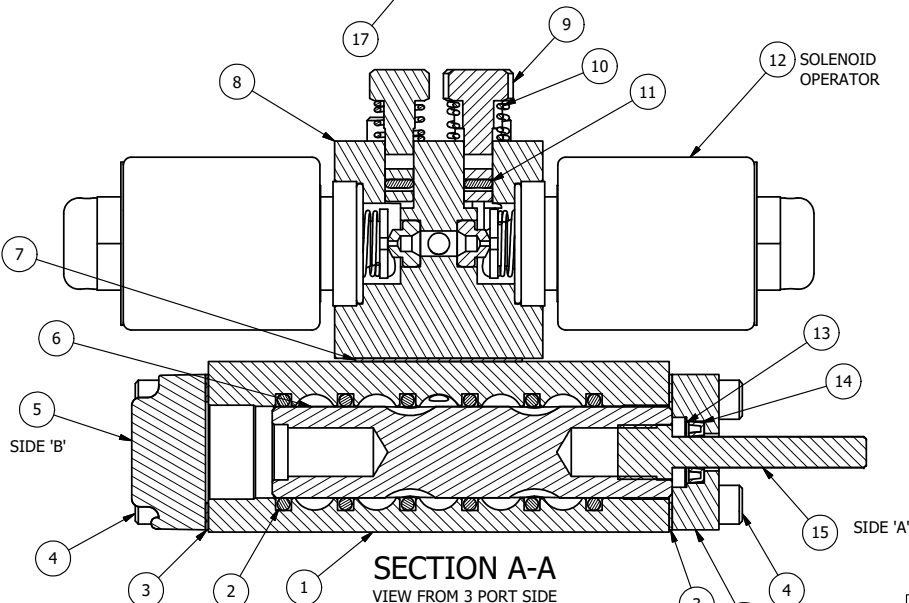
ALIGN PILOT HOLE AND CENTER CUTOUT ON BOTH SIDES.



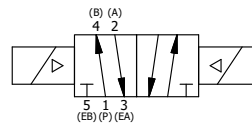
ALIGN HOLES IN GASKET AS SHOWN.
(FOR EXTERNAL PILOT PRESSURE, REMOVE PIGGY BACK BLOCK AND ROTATE 180°. LEAVE GASKET AS SHOWN. REMOVE 1/8" PLUG AND CONNECT SUPPLY PRESSURE - 160 PSI MAX.)

NOTES:

- 1) ALWAYS GIVE VALVE MODEL AND PART NUMBER WHEN ORDERING PARTS.
- 2) FOR DIFFERENT VOLTAGES OTHER THAN 120/60, REPLACE SOLENOID OPERATOR WITH OPERATOR LISTED IN TABLE BELOW. REFERENCE AY-38ML DRAWING FOR REPLACEMENT COILS.



| | | | |
|-----|-----|------------|---|
| 21 | 2 | V-212 | SCREW, #2 X 3/16 DRIVE, TYPE U, OVAL HEAD, STAINLESS STEEL |
| 20 | 1 | AN-115 | NAMEPLATE, BLANK, FOR HE,KE,KD,RR,D,CR,PP,SR,SS VALVES |
| 19 | 4 | V-1 | SCREW, 10-24 X 2, SOCKET HEAD CAP |
| 18 | 2 | V-81 | SCREW, 8-32 X 5/16, SOCKET SET, FULL DOG POINT |
| 17 | 1 | V-19 | PLUG, SOCKET PIPE 1/8" NPT (#601-3 PITTSBURG PLUG PART #.) |
| 16 | 1 | PEC3-5 | END CAP, INDICATOR PIN, WIPER CAVITY, 6061-T6, 1/4" & 3/8" VALVE |
| 15 | 1 | PIK3 | PIN, SPOOL OVERRIDE, 303 STAINLESS, 1/4" & 3/8" VALVES |
| 14 | 1 | V-78 | U-CUP, 1/2 X 1/4 X 1/8, NITRILE |
| 13 | 1 | V-119 | RING,CIRCULAR PUSH ON TYPE FOR INDICATOR PIN |
| 12 | 2 | AY-38ML-11 | CLASSIC SOLENOID - 1/2" NPT CONDUIT, DUST EXCLDR, 120/60 |
| 11 | 2 | V-85 | O-RING, BUNA-N, 70 DURO, AS-010, (REF 1/4 X 3/8 X 1/16), CLASSIC OVRD |
| 10 | 2 | OS3 | SPRING - MANUAL OVERRIDE, "CLASSIC" SOLENOID |
| 9 | 2 | OP3 | PIN - MANUAL OVERRIDE, 1/4" & 3/8" VALVES |
| 8 | 1 | PB3-4E | ADAPTOR - DBL SOL., W/OVERRIDE, 1/4" & 3/8" VALVES |
| 7 | 1 | PBG3 | GASKET - PIGGY BACK, DOUBLE SOLENOID, 1/4" & 3/8" VALVE |
| 6 | 1 | S3R | SPOOL - SOLID, STANDARD, 2 POS, CLSD CTR, 1/4" & 3/8" VALVE |
| 5 | 1 | SEC3-1 | END CAP, NON-VENTED, 380 AL, 1/4" & 3/8" VALVES |
| 4 | 8 | V-38 | SCREW, 10-24 X 3/4, SOCKET HEAD CAP |
| 3 | 2 | ECG3 | GASKET - END CAP, 1/4" & 3/8" VALVE |
| 2 | 6 | V-39 | O-RING, VITON, STD BODY, 1/4" & 3/8" VALVES |
| 1 | 1 | B3-6E | BODY - SOLID, PIGGY BACK, ANODIZED, 3/8" SIDE PORT VALVE |
| FLG | QTY | PART NO | DESCRIPTION |



| OPERATOR VOLTAGES | |
|-------------------|------------------|
| PART NO | REPLACE OPERATOR |
| SS3MOLK 12VDC | AY-38ML-5 |
| SS3MOLK 24VDC | AY-38ML-8 |
| SS3MOLK 240/60 | AY-38ML-17 |

| | | | | |
|---|-----------------|--|-----------------------------|--|
| LIMITS ON DIMENSIONS UNLESS OTHERWISE SPECIFIED | | 2-PL DECIMAL ± .01 3-PL DECIMAL ± .005 FRACTIONAL ± 1/64 ANGULAR ± 1/2° | | AAA PRODUCTS INTERNATIONAL 7114 Harry Hines Blvd Dallas, TX 75235 |
| DRAWN: RMckenna | DATE: 4/19/2020 | CHECKED: KWaite | DATE: 4/19/2020 | |
| SCALE: 1 : 1 | SHEET: 1 OF 1 | RELEASED: HWomack | DATE: 4/19/2020 | |
| TITLE: 3/8" SIDE PORT, DBL SOL, 2 POS, SOL RTRN, MOLD-OVER, 120/60, LCKNG OVRD, EXCLDR, THD PIN | | | PART NO.: SS3MOLK | REV.: |

THE INFORMATION CONTAINED WITHIN THIS DOCUMENT IS PROPRIETARY TO AAA PRODUCTS AND MAY NOT BE DISCLOSED WITHOUT PRIOR WRITTEN CONSENT