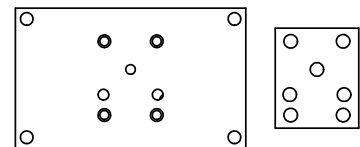


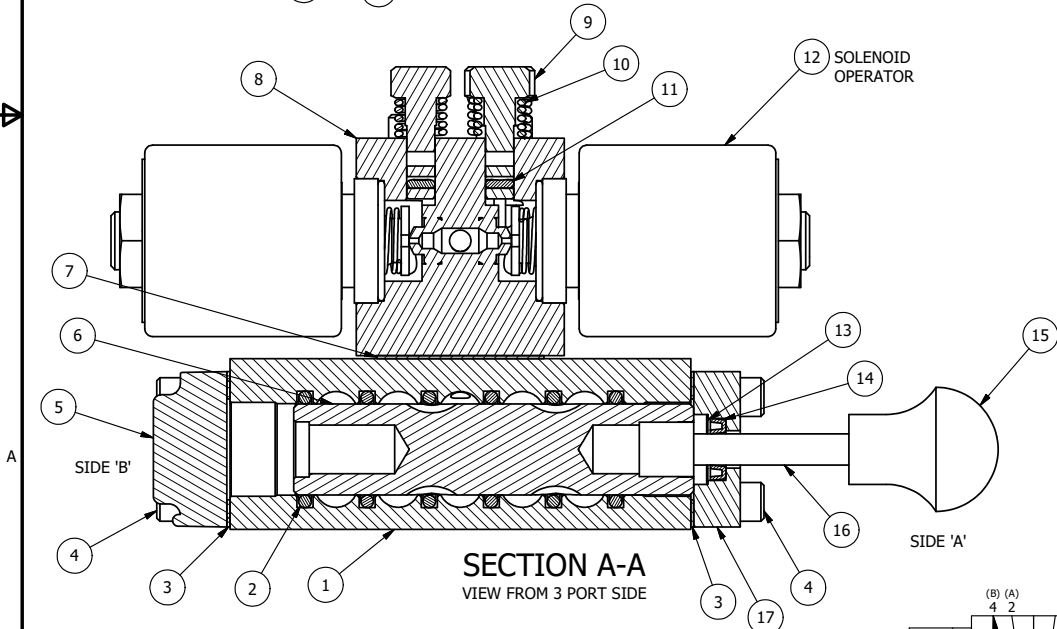
ALIGN PILOT HOLE AND CENTER CUTOUT ON BOTH SIDES.



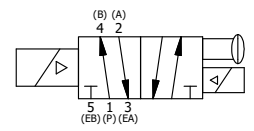
ALIGN HOLES IN GASKET AS SHOWN.  
(FOR EXTERNAL PILOT PRESSURE, REMOVE PIGGY BACK BLOCK AND ROTATE 180°. LEAVE GASKET AS SHOWN. REMOVE 1/8" PLUG AND CONNECT SUPPLY PRESSURE - 160 PSI MAX.)

NOTES:

- 1) ALWAYS GIVE VALVE MODEL AND PART NUMBER WHEN ORDERING PARTS.
- 2) FOR DIFFERENT VOLTAGES OTHER THAN 120/60, REPLACE SOLENOID OPERATOR WITH OPERATOR LISTED IN TABLE BELOW. REFERENCE AY-38EDT DRAWING FOR REPLACEMENT COILS.



SECTION A-A  
VIEW FROM 3 PORT SIDE



|     |     |             |   |
|-----|-----|-------------|---|
| 22  | 2   | V-212       | SCREW, #2 X 3/16 DRIVE, TYPE U, OVAL HEAD, STAINLESS STEEL            |
| 21  | 1   | AN-115      | NAMEPLATE, BLANK, FOR HE,KE,KD,RR,D,CR,PP,SR,SS VALVES                |
| 20  | 2   | V-81        | SCREW, 8-32 X 5/16, SOCKET SET, FULL DOG POINT                        |
| 19  | 1   | V-19        | PLUG, SOCKET PIPE 1/8" NPT (#601-3 PITTSBURG PLUG PART #.)            |
| 18  | 4   | V-1         | SCREW, 10-24 X 2, SOCKET HEAD CAP                                     |
| 17  | 1   | PEC3-5      | END CAP, INDICATOR PIN, WIPER CAVITY, 6061-T6, 1/4" & 3/8" VALVE      |
| 16  | 1   | PIK3        | PIN, SPOOL OVERRIDE, 303 STAINLESS, 1/4" & 3/8" VALVES                |
| 15  | 1   | V-570       | KNOB, BLACK (BRASS 1/4-20 INSERT), OS OPTION                          |
| 14  | 1   | V-78        | U-CUP, 1/2 X 1/4 X 1/8, NITRILE                                       |
| 13  | 1   | V-119       | RING, CIRCULAR PUSH ON TYPE FOR INDICATOR PIN                         |
| 12  | 2   | AY-38EDT-11 | CLASSIC SOLENOID - ISO 4400 DIN, 1/8" NPTF SOL EXHST, 120/60          |
| 11  | 2   | V-85        | O-RING, BUNA-N, 70 DURO, AS-010, (REF 1/4 X 3/8 X 1/16), CLASSIC OVRD |
| 10  | 2   | OS3W        | SPRING - OVERRIDE RETURN, "CLASSIC" SOLENOID                          |
| 9   | 2   | OP3-W       | OVERRIDE PIN - SPRING RETURN, 1/4" & 3/8" VALVE                       |
| 8   | 1   | PB3-4EW     | ADAPTOR - DBL SOL., NON-LOCKING OVERRIDE, 1/4" & 3/8" VALVE           |
| 7   | 1   | PBG3        | GASKET - PIGGY BACK, DOUBLE SOLENOID, 1/4" & 3/8" VALVE               |
| 6   | 1   | S3R         | SPOOL - SOLID, STANDARD, 2 POS, CLSD CTR, 1/4" & 3/8" VALVE           |
| 5   | 1   | SEC3-1      | END CAP, NON-VENTED, 380 AL, 1/4" & 3/8" VALVES                       |
| 4   | 8   | V-38        | SCREW, 10-24 X 3/4, SOCKET HEAD CAP                                   |
| 3   | 2   | ECG3        | GASKET - END CAP, 1/4" & 3/8" VALVE                                   |
| 2   | 6   | V-39        | O-RING, VITON, STD BODY, 1/4" & 3/8" VALVES                           |
| 1   | 1   | B3-6E       | BODY - SOLID, PIGGY BACK, ANODIZED, 3/8" SIDE PORT VALVE              |
| FLG | QTY | PART NO     | DESCRIPTION   |

LIMITS ON DIMENSIONS  
UNLESS OTHERWISE SPECIFIED

2-PL DECIMAL ± .01  
3-PL DECIMAL ± .005  
FRACTIONAL ± 1/64  
ANGULAR ± 1/2°



DRAWN: RMckenna DATE: 4/20/2020

CHECKED: KWaite DATE: 4/20/2020

SCALE: 1 : 1 SHEET: 1 OF 1

RELEASED: HWomack DATE: 4/20/2020

| OPERATOR VOLTAGES |                  |
|-------------------|------------------|
| PART NO           | REPLACE OPERATOR |
| SS3EDONTOS 12VDC  | AY-38EDT-5       |
| SS3EDONTOS 24VDC  | AY-38EDT-8       |
| SS3EDONTOS 240/60 | AY-38EDT-17      |

TITLE:  
3/8" SIDE PORT, DBL SOL, 2 POS,  
SOL RTN, ISO 4400 DIN, 120/60,  
N-LCKNG OVRD, TPD VENT, SPL OVRD

PART NO.:  
SS3EDONTOS

THE INFORMATION CONTAINED WITHIN THIS DOCUMENT IS PROPRIETARY TO AAA PRODUCTS AND MAY NOT BE DISCLOSED WITHOUT PRIOR WRITTEN CONSENT