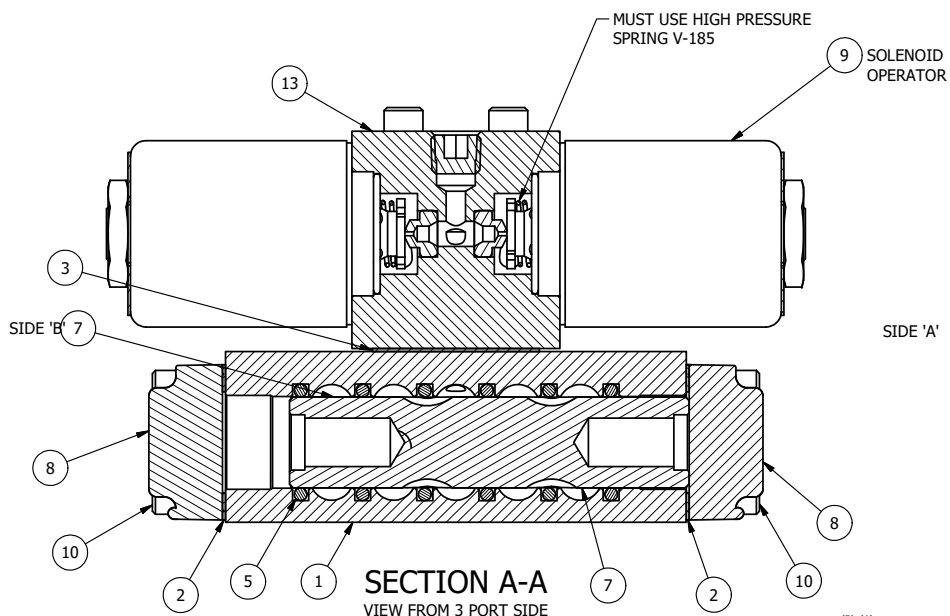


ALIGN PILOT HOLE AND CENTER CUTOUT ON BOTH SIDES.

ALIGN HOLES IN GASKET AS SHOWN.
(FOR EXTERNAL PILOT PRESSURE, REMOVE PIGGY BACK BLOCK AND ROTATE 180°. LEAVE GASKET AS SHOWN. REMOVE 1/8" PLUG AND CONNECT SUPPLY PRESSURE - 50 TO 300 PSI MAX.)

NOTES:

- 1) ALWAYS GIVE VALVE MODEL AND PART NUMBER WHEN ORDERING PARTS.
- 2) FOR DIFFERENT VOLTAGES OTHER THAN 120/60, REPLACE SOLENOID OPERATOR WITH OPERATOR LISTED IN TABLE BELOW. REFERENCE AY-38V DRAWING FOR REPLACEMENT COILS.
- 3) MARK NAMETAG AND SOLENOID TAG 300 PSI MAX.
- 4) STANDARD TESTING THEN TEST AT 300 PSI.



13	1	PB3-2E-V	ADAPTOR - DOUBLE SOLENOID, HIGH PRESSURE, 1/4" & 3/8" VALVES
12	2	V-212	SCREW, #2 X 3/16 DRIVE, TYPE U, OVAL HEAD, STAINLESS STEEL
11	1	AN-115	NAMEPLATE, BLANK, FOR HE,KE,KD,RR,D,CR,PP,SR,SS VALVES
10	8	V-38	SCREW, 10-24 X 3/4, SOCKET HEAD CAP
9	2	AY-38V	CLASSIC SOLENOID - HIGH PRESSURE, COMPLETE OPERATOR, 120/60
8	2	SEC3-1	END CAP, NON-VENTED, 380 AL, 1/4" & 3/8" VALVES
7	1	S3R	SPOOL - SOLID, STANDARD, 2 POS, CLSD CTR, 1/4" & 3/8" VALVE
6	1	V-19	PLUG, SOCKET PIPE 1/8" NPT, 7/8 TAPER, FLUSH SEAL
5	6	V-39	O-RING, VITON, STD BODY, 1/4" & 3/8" VALVES
4	4	V-1	SCREW, 10-24 X 2, SOCKET HEAD CAP
3	1	PBG3	GASKET - PIGGY BACK, DOUBLE SOLENOID, 1/4" & 3/8" VALVE
2	2	ECG3	GASKET - END CAP, 1/4" & 3/8" VALVE
1	1	B2-6E	BODY - SOLID, PIGGY BACK, ANODIZED, 1/4" SIDE PORT VALVE
FLG	QTY	PART NO	DESCRIPTION

LIMITS ON DIMENSIONS
UNLESS
OTHERWISE SPECIFIED

2-PL DECIMAL ± .01
3-PL DECIMAL ± .005
FRACTIONAL ± 1/64
ANGULAR ± 1/2°



DRAWN: RMckenna DATE: 6/16/2015

CHECKED: KWaite DATE: 6/16/2015

SCALE: 1 : 1 SHEET: 1 OF 1

RELEASED: HWomack DATE: 6/16/2015

TITLE:
1/4" SIDE PORT, DBL SOL, 2 POS,
FRICTION POS, SOL RTRN,
CLASSIC SOL, 120/60, 300 PSI

PART NO.:
SS2V

REV.:

OPERATOR VOLTAGES	
PART NO	REPLACE OPERATOR
SS2V 12VDC	AY-38V-5
SS2V 24VDC	AY-38V-8
SS2V 240/60	AY-38V-17

