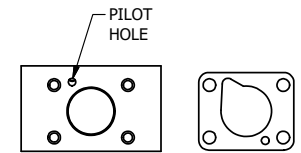


ALIGN HOLES IN GASKET AS SHOWN.
 (FOR EXTERNAL PILOT PRESSURE, REMOVE PIGGY BACK BLOCK AND ROTATE 180°. LEAVE GASKET AS SHOWN. REMOVE 1/8" PLUG AND CONNECT SUPPLY PRESSURE - 160 PSI MAX.)

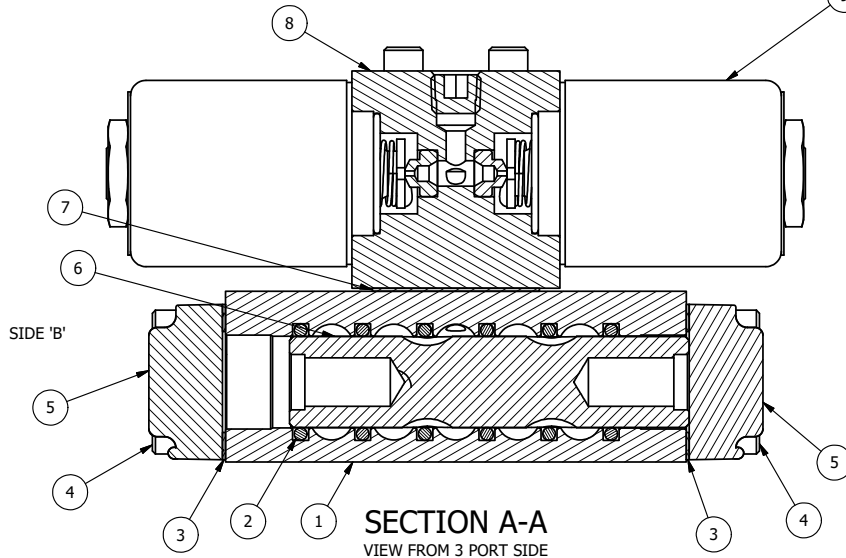


ALIGN PILOT HOLE AND CENTER CUTOUT ON BOTH SIDES.

9 SOLENOID OPERATOR

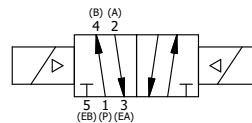
NOTES:

- 1) ALWAYS GIVE VALVE MODEL AND PART NUMBER WHEN ORDERING PARTS.
- 2) FOR DIFFERENT VOLTAGES OTHER THAN 120/60, REPLACE SOLENOID OPERATOR WITH OPERATOR LISTED IN TABLE BELOW. REFERENCE AY-38T DRAWING FOR REPLACEMENT COILS.



FLG	QTY	PART NO	DESCRIPTION
13	2	V-212	SCREW, #2 X 3/16 DRIVE, TYPE U, OVAL HEAD, STAINLESS STEEL
12	1	AN-115	NAMEPLATE, BLANK, FOR HE,KE,KD,RR,D,CR,PP,SR,SS VALVES
11	1	V-19	PLUG, SOCKET PIPE 1/8" NPT (#601-3 PITTSBURG PLUG PART #.)
10	4	V-1	SCREW, 10-24 X 2, SOCKET HEAD CAP
9	2	AY-38T-11	CLASSIC SOLENOID - STANDARD, COMPLETE OPER, TAPPED EXH., 120/60
8	1	PB3-2E	ADAPTOR - DOUBLE SOLENOID, 1/4" & 3/8" VALVES
7	1	PBG3	GASKET - PIGGY BACK, DOUBLE SOLENOID, 1/4" & 3/8" VALVE
6	1	S3R	SPOOL - SOLID, STANDARD, 2 POS, CLSD CTR, 1/4" & 3/8" VALVE
5	2	SEC3-1	END CAP, NON-VENTED, 380 AL, 1/4" & 3/8" VALVES
4	8	V-38	SCREW, 10-24 X 3/4, SOCKET HEAD CAP
3	2	ECG3	GASKET - END CAP, 1/4" & 3/8" VALVE
2	6	V-39	O-RING, VITON, STD BODY, 1/4" & 3/8" VALVES
1	1	B2-6E	BODY - SOLID, PIGGY BACK, ANODIZED, 1/4" SIDE PORT VALVE

LIMITS ON DIMENSIONS UNLESS OTHERWISE SPECIFIED		2-PL DECIMAL ± .01 3-PL DECIMAL ± .005 FRACTIONAL ± 1/64 ANGULAR ± 1/2°	AAA PRODUCTS INTERNATIONAL 7114 Harry Hines Blvd Dallas, TX 75235								
DRAWN: RMckenna	DATE: 7/29/2015	CHECKED: KWaite		DATE: 7/29/2015							
SCALE: 1 : 1	SHEET: 1 OF 1	RELEASED: HWomack	DATE: 7/29/2015								
TITLE: 1/4" SIDE PORT, DBL SOL, 2 POS, FRICTION POS, SOL RTRN, CLASSIC SOL, 120/60, TAPPED VENT			PART NO.: SS2T								
OPERATOR VOLTAGES <table border="1"> <thead> <tr> <th>PART NO</th> <th>REPLACE OPERATOR</th> </tr> </thead> <tbody> <tr> <td>SS2T 240/60</td> <td>AY-38T-17</td> </tr> <tr> <td>SS2T 24VDC</td> <td>AY-38T-8</td> </tr> <tr> <td>SS2T 12VDC</td> <td>AY-38T-5</td> </tr> </tbody> </table>			PART NO	REPLACE OPERATOR	SS2T 240/60	AY-38T-17	SS2T 24VDC	AY-38T-8	SS2T 12VDC	AY-38T-5	REV.: SS2T
PART NO	REPLACE OPERATOR										
SS2T 240/60	AY-38T-17										
SS2T 24VDC	AY-38T-8										
SS2T 12VDC	AY-38T-5										



THE INFORMATION CONTAINED WITHIN THIS DOCUMENT IS PROPRIETARY TO AAA PRODUCTS AND MAY NOT BE DISCLOSED WITHOUT PRIOR WRITTEN CONSENT

D:\Engineering\product\Valve Assembly\Classic\Solenoid\SS2T.dwg