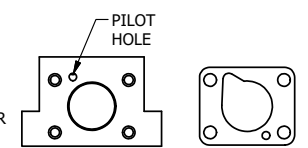
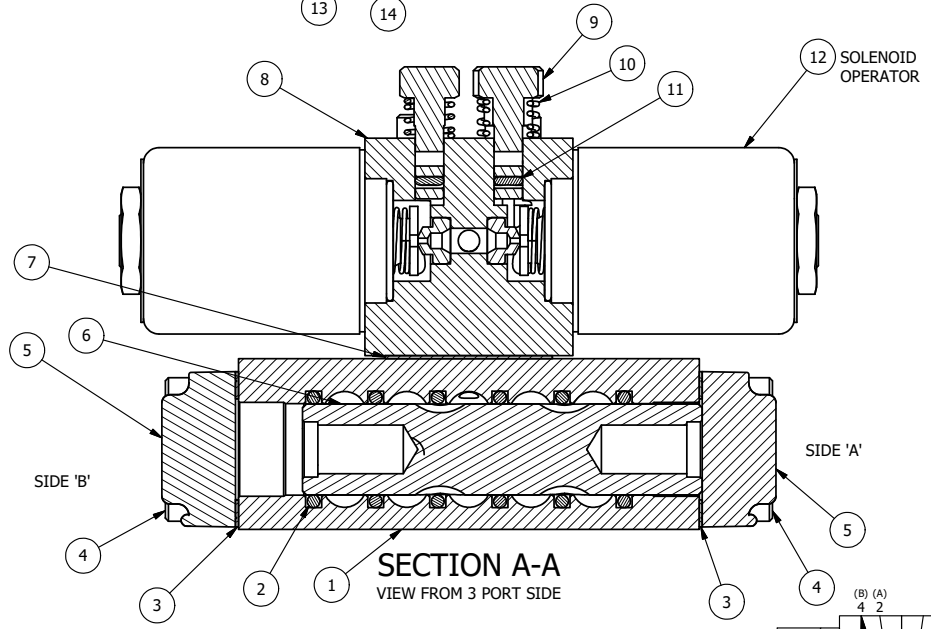


ALIGN HOLES IN GASKET AS SHOWN.  
 (FOR EXTERNAL PILOT PRESSURE, REMOVE PIGGY BACK BLOCK AND ROTATE 180°. LEAVE GASKET AS SHOWN. REMOVE 1/8" PLUG AND CONNECT SUPPLY PRESSURE - 160 PSI MAX.)

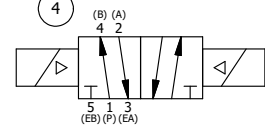


ALIGN PILOT HOLE AND CENTER CUTOUT ON BOTH SIDES.

NOTES:  
 1) ALWAYS GIVE VALVE MODEL AND PART NUMBER WHEN ORDERING PARTS.  
 2) FOR DIFFERENT VOLTAGES OTHER THAN 120/60, REPLACE SOLENOID OPERATOR WITH OPERATOR LISTED IN TABLE BELOW. REFERENCE AY-38 DRAWING FOR REPLACEMENT COILS.



SECTION A-A  
 VIEW FROM 3 PORT SIDE



| OPERATOR VOLTAGES |                  |
|-------------------|------------------|
| PART NO           | REPLACE OPERATOR |
| SS20 12VDC        | AY-38-5          |
| SS20 24VDC        | AY-38-8          |
| SS20 240/60       | AY-38-17         |

| FLG | QTY | PART NO  | DESCRIPTION   |
|-----|-----|----------|---|
| 17  | 2   | V-212    | SCREW, #2 X 3/16 DRIVE, TYPE U, OVAL HEAD, STAINLESS STEEL            |
| 16  | 1   | AN-115   | NAMEPLATE, BLANK, FOR HE,KE,KD,RR,D,CR,PP,SR,SS VALVES                |
| 15  | 2   | V-81     | SCREW, 8-32 X 5/16, SOCKET SET, FULL DOG POINT                        |
| 14  | 1   | V-19     | PLUG, SOCKET PIPE 1/8" NPT (#601-3 PITTSBURG PLUG PART #.)            |
| 13  | 4   | V-1      | SCREW, 10-24 X 2, SOCKET HEAD CAP                                     |
| 12  | 2   | AY-38-11 | CLASSIC SOLENOID - STANDARD, COMPLETE OPERATOR, 120/60                |
| 11  | 2   | V-85     | O-RING, BUNA-N, 70 DURO, AS-010, (REF 1/4 X 3/8 X 1/16), CLASSIC OVRD |
| 10  | 2   | OS3      | SPRING - MANUAL OVERRIDE, "CLASSIC" SOLENOID                          |
| 9   | 2   | OP3      | PIN - MANUAL OVERRIDE, 1/4" & 3/8" VALVES                             |
| 8   | 1   | PB3-4E   | ADAPTOR - DBL SOL., W/OVERRIDE, 1/4" & 3/8" VALVES                    |
| 7   | 1   | PBG3     | GASKET - PIGGY BACK, DOUBLE SOLENOID, 1/4" & 3/8" VALVE               |
| 6   | 1   | S3R      | SPOOL - SOLID, STANDARD, 2 POS, CLSD CTR, 1/4" & 3/8" VALVE           |
| 5   | 2   | SEC3-1   | END CAP, NON-VENTED, 380 AL, 1/4" & 3/8" VALVES                       |
| 4   | 8   | V-38     | SCREW, 10-24 X 3/4, SOCKET HEAD CAP                                   |
| 3   | 2   | ECG3     | GASKET - END CAP, 1/4" & 3/8" VALVE                                   |
| 2   | 6   | V-39     | O-RING, VITON, STD BODY, 1/4" & 3/8" VALVES                           |
| 1   | 1   | B2-6E    | BODY - SOLID, PIGGY BACK, ANODIZED, 1/4" SIDE PORT VALVE              |

LIMITS ON DIMENSIONS  
 UNLESS OTHERWISE SPECIFIED  
 2-PL DECIMAL ± .01  
 3-PL DECIMAL ± .005  
 FRACTIONAL ± 1/64  
 ANGULAR ± 1/2°



|   |                 |                   |                 |
|---|-----------------|-------------------|-----------------|
| DRAWN: RMckenna   | DATE: 6/16/2015 | CHECKED: KWaite   | DATE: 6/16/2015 |
| SCALE: 1 : 1  | SHEET: 1 OF 1   | RELEASED: HWomack | DATE: 6/16/2015 |
| TITLE:<br>1/4" SIDE PORT, DBL SOL, 2 POS, FRICTION POS, SOL RTRN, CLASSIC SOL, 120/60, LCKNG OVRD |                 | PART NO.:         | REV.:           |
|   |                 | SS20              |                 |

THE INFORMATION CONTAINED WITHIN THIS DOCUMENT IS PROPRIETARY TO AAA PRODUCTS AND MAY NOT BE DISCLOSED WITHOUT PRIOR WRITTEN CONSENT

P:\Engineering\Product Valve Assembly\Classic\SS20\SS20.dwg