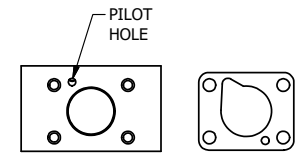
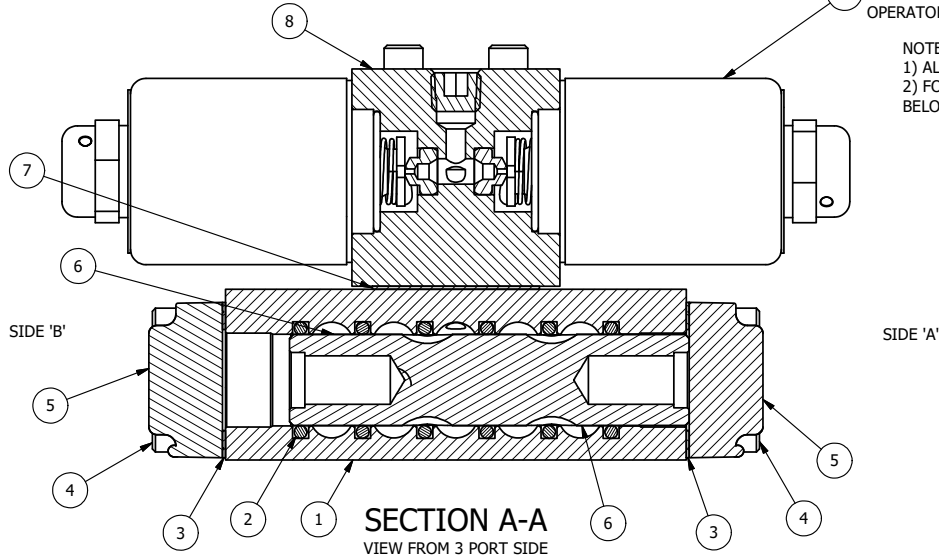


ALIGN HOLES IN GASKET AS SHOWN.  
 (FOR EXTERNAL PILOT PRESSURE, REMOVE PIGGY BACK  
 BLOCK AND ROTATE 180°. LEAVE GASKET AS SHOWN. REMOVE  
 1/8" PLUG AND CONNECT SUPPLY PRESSURE - 160 PSI MAX.)



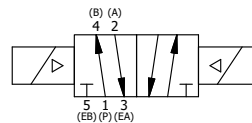
ALIGN PILOT HOLE AND CENTER CUTOUT  
 ON BOTH SIDES.

NOTES:  
 1) ALWAYS GIVE VALVE MODEL AND PART NUMBER WHEN ORDERING PARTS.  
 2) FOR DIFFERENT VOLTAGES OTHER THAN 120/60, REPLACE SOLENOID OPERATOR WITH OPERATOR LISTED IN TABLE  
 BELOW. REFERENCE AY-38L DRAWING FOR REPLACEMENT COILS.



| FLG | QTY | PART NO   | DESCRIPTION   |
|-----|-----|-----------|---|
| 13  | 2   | V-212     | SCREW, #2 X 3/16 DRIVE, TYPE U, OVAL HEAD, STAINLESS STEEL  |
| 12  | 1   | AN-115    | NAMEPLATE, BLANK, FOR HE,KE,KD,RR,D,CR,PP,SR,SS VALVES      |
| 11  | 1   | V-19      | PLUG, SOCKET PIPE 1/8" NPT (#601-3 PITTSBURG PLUG PART #.)  |
| 10  | 4   | V-1       | SCREW, 10-24 X 2, SOCKET HEAD CAP                           |
| 9   | 2   | AY-38L-11 | CLASSIC SOLENOID, 120/60, W/DUST EXCLUDER                   |
| 8   | 1   | PB3-2E    | ADAPTOR - DOUBLE SOLENOID, 1/4" & 3/8" VALVES               |
| 7   | 1   | PBG3      | GASKET - PIGGY BACK, DOUBLE SOLENOID, 1/4" & 3/8" VALVE     |
| 6   | 1   | S3R       | SPOOL - SOLID, STANDARD, 2 POS, CLSD CTR, 1/4" & 3/8" VALVE |
| 5   | 2   | SEC3-1    | END CAP, NON-VENTED, 380 AL, 1/4" & 3/8" VALVES             |
| 4   | 8   | V-38      | SCREW, 10-24 X 3/4, SOCKET HEAD CAP                         |
| 3   | 2   | ECG3      | GASKET - END CAP, 1/4" & 3/8" VALVE                         |
| 2   | 6   | V-39      | O-RING, VITON, STD BODY, 1/4" & 3/8" VALVES                 |
| 1   | 1   | B2-6E     | BODY - SOLID, PIGGY BACK, ANODIZED, 1/4" SIDE PORT VALVE    |

| LIMITS ON DIMENSIONS<br>UNLESS<br>OTHERWISE SPECIFIED   |                  | 2-PL DECIMAL ± .01<br>3-PL DECIMAL ± .005<br>FRACTIONAL ± 1/64<br>ANGULAR ± 1/2° | <b>AAA PRODUCTS INTERNATIONAL</b><br>7114 Harry Hines Blvd<br>Dallas, TX 75235 |                  |             |           |            |          |            |          |       |
|---|------------------|--|--|------------------|-------------|-----------|------------|----------|------------|----------|-------|
| DRAWN: RMckenna   | DATE: 7/29/2015  | CHECKED: KWaite  |  | DATE: 7/29/2015  |             |           |            |          |            |          |       |
| SCALE: 1 : 1  | SHEET: 1 OF 1    | RELEASED: HWomack  | DATE: 7/29/2015  |                  |             |           |            |          |            |          |       |
| TITLE:<br><b>1/4" SIDE PORT, DBL SOL, 2 POS,<br/>         FRICTION POS, SOL RTRN,<br/>         CLASSIC SOL, 120/60, DUST EXLDR</b>  |                  |  | PART NO.:<br><b>SS2L</b>   |                  |             |           |            |          |            |          |       |
| OPERATOR VOLTAGES<br><table border="1"> <thead> <tr> <th>PART NO</th> <th>REPLACE OPERATOR</th> </tr> </thead> <tbody> <tr> <td>SS2L 240/60</td> <td>AY-38L-17</td> </tr> <tr> <td>SS2L 24VDC</td> <td>AY-38L-8</td> </tr> <tr> <td>SS2L 12VDC</td> <td>AY-38L-5</td> </tr> </tbody> </table> |                  |  | PART NO  | REPLACE OPERATOR | SS2L 240/60 | AY-38L-17 | SS2L 24VDC | AY-38L-8 | SS2L 12VDC | AY-38L-5 | REV.: |
| PART NO   | REPLACE OPERATOR |  |  |                  |             |           |            |          |            |          |       |
| SS2L 240/60   | AY-38L-17        |  |  |                  |             |           |            |          |            |          |       |
| SS2L 24VDC  | AY-38L-8         |  |  |                  |             |           |            |          |            |          |       |
| SS2L 12VDC  | AY-38L-5         |  |  |                  |             |           |            |          |            |          |       |



THE INFORMATION CONTAINED WITHIN THIS DOCUMENT IS PROPRIETARY TO AAA PRODUCTS AND MAY NOT BE DISCLOSED WITHOUT PRIOR WRITTEN CONSENT

D:\Engineering\product\Valve Assembly\Classic\SS2L\SS2L.dwg