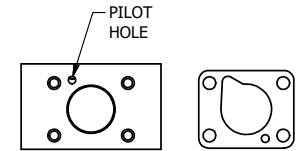


ALIGN HOLES IN GASKET AS SHOWN.
 (FOR EXTERNAL PILOT PRESSURE, REMOVE PIGGY BACK BLOCK AND ROTATE 180°. LEAVE GASKET AS SHOWN. REMOVE 1/8" PLUG AND CONNECT SUPPLY PRESSURE - 160 PSI MAX.)

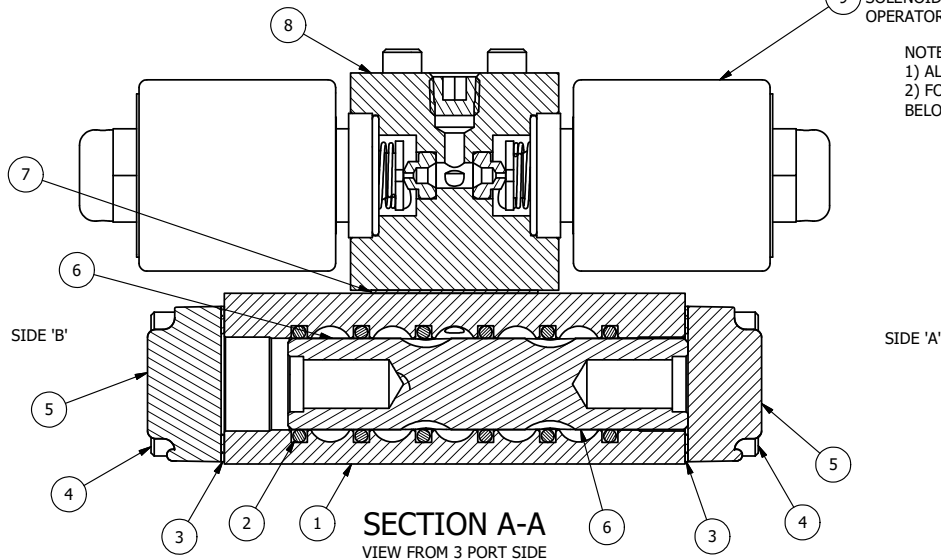


ALIGN PILOT HOLE AND CENTER CUTOUT ON BOTH SIDES.

9 SOLENOID OPERATOR

NOTES:

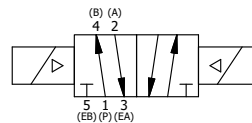
- 1) ALWAYS GIVE VALVE MODEL AND PART NUMBER WHEN ORDERING PARTS.
- 2) FOR DIFFERENT VOLTAGES OTHER THAN 120/60, REPLACE SOLENOID OPERATOR WITH OPERATOR LISTED IN TABLE BELOW. REFERENCE AY-38EDL DRAWING FOR REPLACEMENT COILS.



| FLG | QTY | PART NO | DESCRIPTION |
|-----|-----|-------------|---|
| 13 | 2 | V-212 | SCREW, #2 X 3/16 DRIVE, TYPE U, OVAL HEAD, STAINLESS STEEL |
| 12 | 1 | AN-115 | NAMEPLATE, BLANK, FOR HE,KE,KD,RR,D,CR,PP,SR,SS VALVES |
| 11 | 1 | V-19 | PLUG, SOCKET PIPE 1/8" NPT (#601-3 PITTSBURG PLUG PART #.) |
| 10 | 4 | V-1 | SCREW, 10-24 X 2, SOCKET HEAD CAP |
| 9 | 2 | AY-38EDL-11 | CLASSIC SOLENOID - ISO 4400 DIN, DUST EXCLUDER NUT, 120/60 |
| 8 | 1 | PB3-2E | ADAPTOR - DOUBLE SOLENOID, 1/4" & 3/8" VALVES |
| 7 | 1 | PBG3 | GASKET - PIGGY BACK, DOUBLE SOLENOID, 1/4" & 3/8" VALVE |
| 6 | 1 | S3R | SPOOL - SOLID, STANDARD, 2 POS, CLSD CTR, 1/4" & 3/8" VALVE |
| 5 | 2 | SEC3-1 | END CAP, NON-VENTED, 380 AL, 1/4" & 3/8" VALVES |
| 4 | 8 | V-38 | SCREW, 10-24 X 3/4, SOCKET HEAD CAP |
| 3 | 2 | ECG3 | GASKET - END CAP, 1/4" & 3/8" VALVE |
| 2 | 6 | V-39 | O-RING, VITON, STD BODY, 1/4" & 3/8" VALVES |
| 1 | 1 | B2-6E | BODY - SOLID, PIGGY BACK, ANODIZED, 1/4" SIDE PORT VALVE |

| | | | | | |
|---|--|--|--|--|-------|
| LIMITS ON DIMENSIONS UNLESS OTHERWISE SPECIFIED | | 2-PL DECIMAL ± .01 3-PL DECIMAL ± .005 FRACTIONAL ± 1/64 ANGULAR ± 1/2° | | AAA PRODUCTS INTERNATIONAL 7114 Harry Hines Blvd Dallas, TX 75235 | |
| DRAWN: RMckenna | | DATE: 3/3/2016 | | | |
| SCALE: 1 : 1 | | SHEET: 1 OF 1 | | CHECKED: KWaite DATE: 3/3/2016 RELEASED: HWomack DATE: 3/3/2016 | |
| TITLE: 1/4" SIDE PORT, DBL SOL, 2 POS, FRICTION POS, SOL RTRN, ISO 4400 DIN, 120/60, DUST EXLDR | | | | PART NO.: SS2EDL | REV.: |

| OPERATOR VOLTAGES | |
|-------------------|------------------|
| PART NO | REPLACE OPERATOR |
| SS2EDL 240/60 | AY-38EDL-17 |
| SS2EDL 24VDC | AY-38EDL-8 |
| SS2EDL 12VDC | AY-38EDL-5 |



THE INFORMATION CONTAINED WITHIN THIS DOCUMENT IS PROPRIETARY TO AAA PRODUCTS AND MAY NOT BE DISCLOSED WITHOUT PRIOR WRITTEN CONSENT

D:\Engineering\product\Valve Assembly\Classic\SS2EDL.dwg