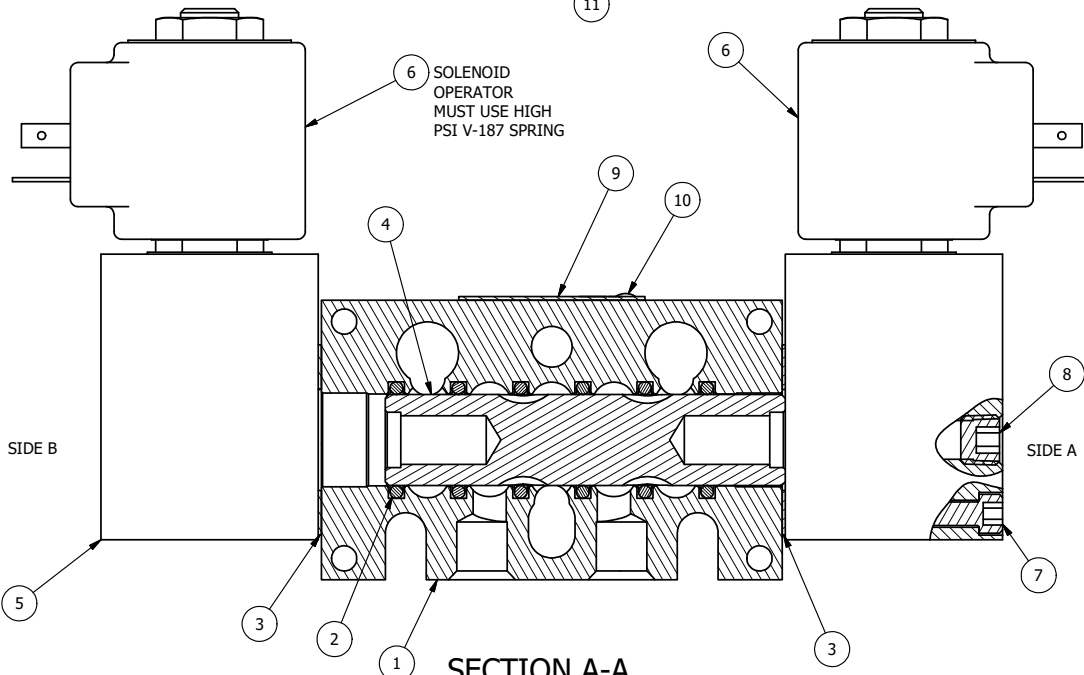


POSITION GASKET ON END OF VALVE TO ALIGN PILOT HOLES, BOTH ENDS (SIDE 'B' SHOWN)

NOTES:

- 1) ALWAYS GIVE VALVE MODEL AND PART NUMBER WHEN ORDERING PARTS.
- 2) FOR DIFFERENT VOLTAGES OTHER THAN 120/60, REPLACE SOLENOID OPERATOR WITH OPERATOR LISTED IN TABLE BELOW. REFERENCE AY-38ED DRAWING FOR REPLACEMENT COILS.
- 3) MARK NAMETAG AND SOLENOID TAG 300 PSI MAX.
- 4) STANDARD TESTING THEN TEST AT 300 PSI.



SECTION A-A
VIEW FROM O-RING SIDE

| 11 | 3 | V-110 | O-RING, BUNA-N, 70 DURO, AS-114, (REF 5/8 X 13/16 X 3/32), 1/4" SLEEVE, 1/2" SUB, STACK |
|-----|-----|-------------|---|
| 10 | 2 | V-212 | SCREW, #2 X 3/16 DRIVE, TYPE U, OVAL HEAD, STAINLESS STEEL |
| 9 | 1 | AN-115 | NAMEPLATE, BLANK, FOR HE,KE,RR,D,CR,PP,SR,SS VALVES |
| 8 | 2 | V-19 | PLUG, SOCKET PIPE 1/8" NPT, 7/8 TAPER, FLUSH SEAL |
| 7 | 8 | V-1 | SCREW, 10-24 X 2, SOCKET HEAD CAP |
| 6 | 2 | AY-38EDV-11 | CLASSIC SOLENOID - ISO 4400 DIN, 300 PSI MAX, 120/60 |
| 5 | 2 | PB3-5E-V | ADAPTOR - SOLENOID, SINGLE PILOT, HIGH PRESSURE, 1/4" & 3/8" STACKING VALVE |
| 4 | 1 | S3R | SPOOL - SOLID, STANDARD, 2 POS, CLSD CTR, 1/4" & 3/8" VALVE |
| 3 | 2 | ECG3 | GASKET - END CAP, 1/4" & 3/8" VALVE |
| 2 | 6 | V-39 | O-RING, VITON, STD BODY, 1/4" & 3/8" VALVES |
| 1 | 1 | B2-10E | FINISHED - SOLID BODY, UPPER PILOTS, 1/4" STACKING VALVE |
| FLG | QTY | PART NO | DESCRIPTION |

LIMITS ON DIMENSIONS
UNLESS OTHERWISE SPECIFIED
2-PL DECIMAL ± .01
3-PL DECIMAL ± .005
FRACTIONAL ± 1/64
ANGULAR ± 1/2°

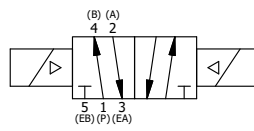


DRAWN: RMckenna DATE: 5/24/2022 CHECKED: KWaite DATE: 5/24/2022
SCALE: 1 : 1 SHEET: 1 OF 1 RELEASED: HWomack DATE: 5/24/2022

| OPERATOR VOLTAGES | |
|-------------------|------------------|
| PART NO | REPLACE OPERATOR |
| BSS2EDV 12VDC | AY-38EDV-5 |
| BSS2EDV 24VDC | AY-38EDV-8 |
| BSS2EDV 240/60 | AY-38EDV-17 |

TITLE:
**1/4" STACK, DBL SOL, 2 POS,
FRICTION POS, SOL RTRN,
ISO 4400 DIN, 120/60, 300 PSI**

PART NO.:
BSS2EDV



THE INFORMATION CONTAINED WITHIN THIS DOCUMENT IS PROPRIETARY TO AAA PRODUCTS AND MAY NOT BE DISCLOSED WITHOUT PRIOR WRITTEN CONSENT

D:\Engineering\Products\Valves\Assembly\classics\SSV\BSS2EDV.dwg