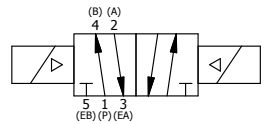
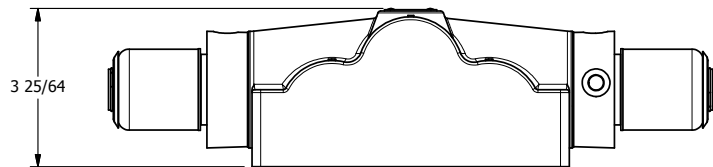
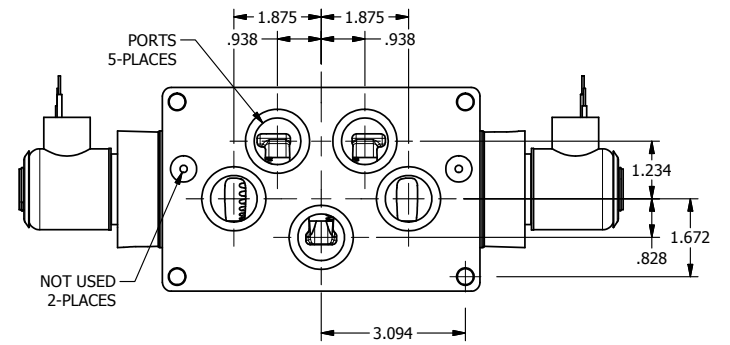
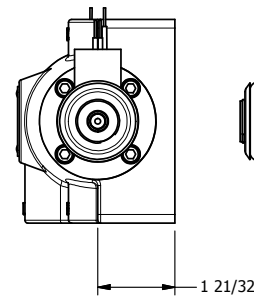
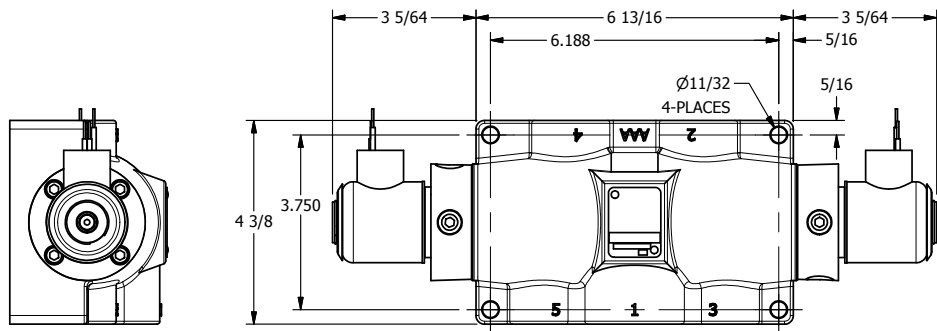
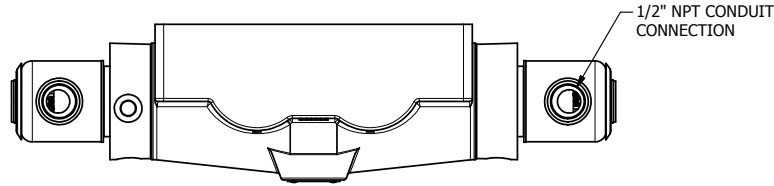


4

3

2

1



TITLE: 1" SUBPLATE, DBL SOL, 2 POS,
FRICTION POS, SOL RTRN,
EXPL PROOF

DRAWING NO.:
DIM_SS8PX

THE INFORMATION CONTAINED WITHIN THIS DOCUMENT IS PROPRIETARY TO AAA PRODUCTS AND MAY NOT BE DISCLOSED WITHOUT PRIOR WRITTEN CONSENT