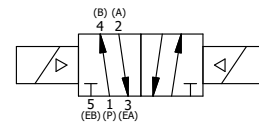
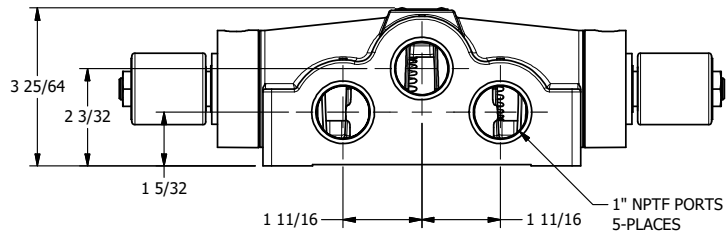
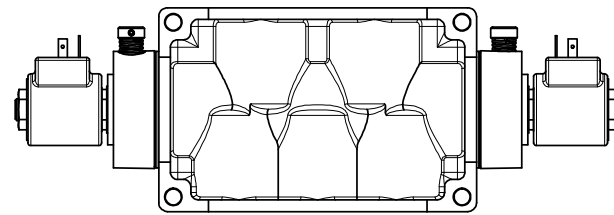
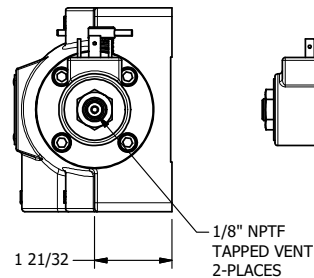
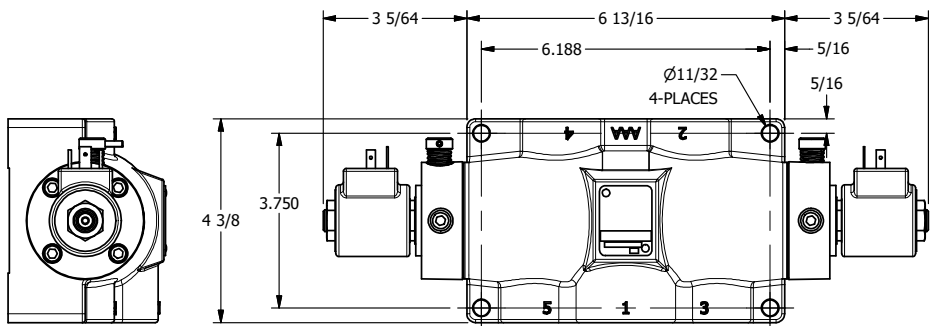
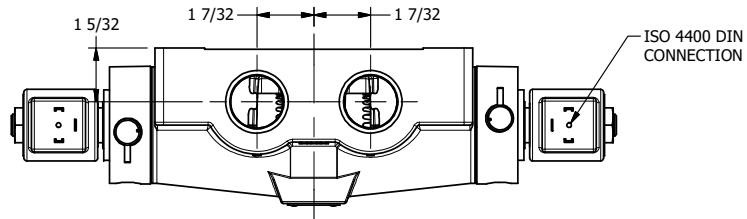


4

3

2

1



TITLE: 1" SIDE PORT, DBL SOL, 2 POS,
SOL RTN, ISO 4400 DIN,
NON-LCKNG OVRD, TPD VENT

DRAWING NO.:
DIM_SS8EDONT

4

3

2

THE INFORMATION CONTAINED WITHIN THIS DOCUMENT IS PROPRIETARY TO AAA PRODUCTS AND MAY NOT BE DISCLOSED WITHOUT PRIOR WRITTEN CONSENT