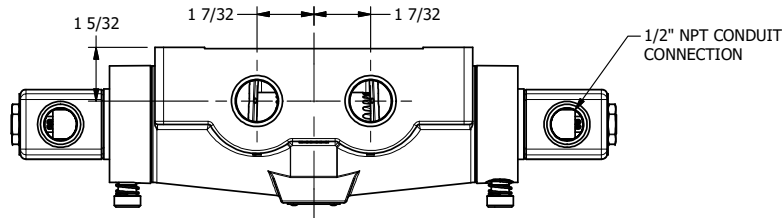


4

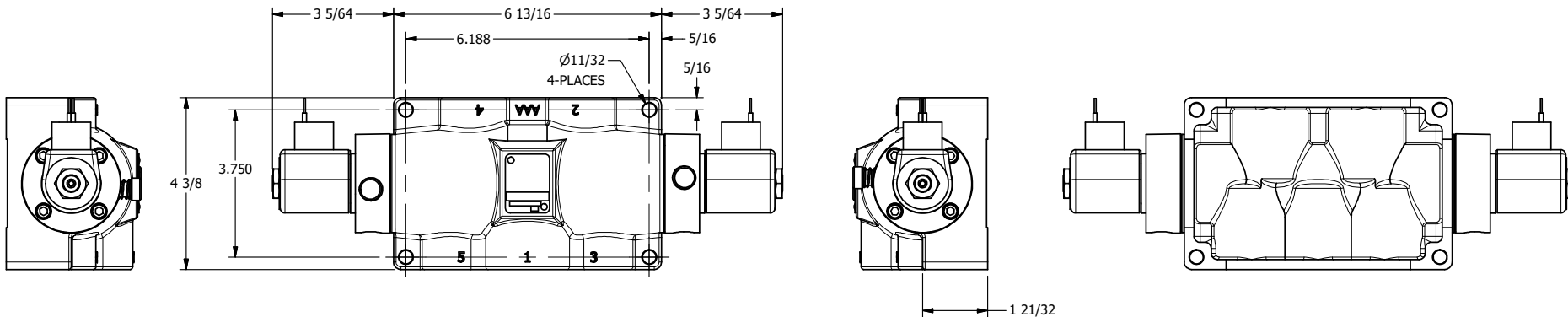
3

2

1



1/2" NPT CONDUIT CONNECTION

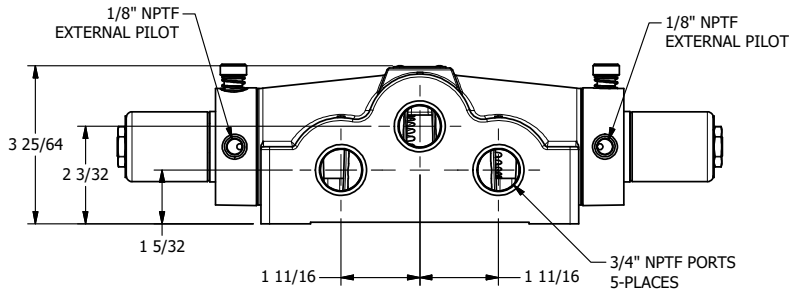


B

B

A

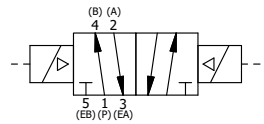
A



1/8" NPTF EXTERNAL PILOT

1/8" NPTF EXTERNAL PILOT

3/4" NPTF PORTS 5-PLACES



AAA
PRODUCTS
INTERNATIONAL

AAA PRODUCTS INTERNATIONAL
7114 Harry Hines Blvd
Dallas, TX 75235

TITLE: 3/4" SIDE PORT, DBL SOL, 2 POS,
FRICTION POS, SOL RTRN,
CLASSIC SOL, LCKNG OVRD, EXT PILOT

DRAWING NO.:
DIM_SS60Z

4

3

2



THE INFORMATION CONTAINED WITHIN THIS DOCUMENT IS PROPRIETARY TO AAA PRODUCTS AND MAY NOT BE DISCLOSED WITHOUT PRIOR WRITTEN CONSENT