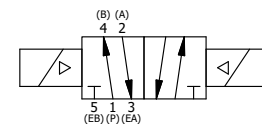
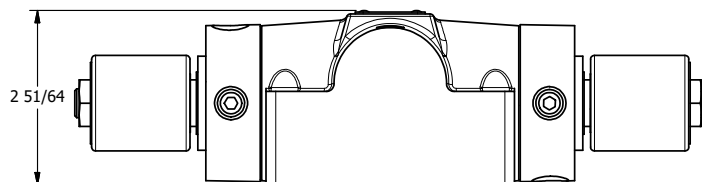
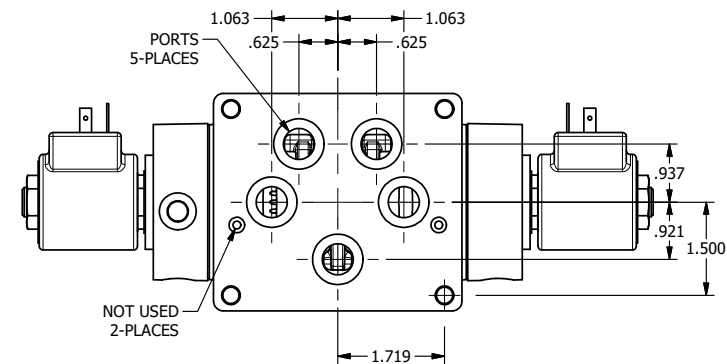
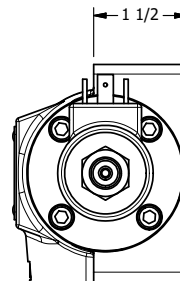
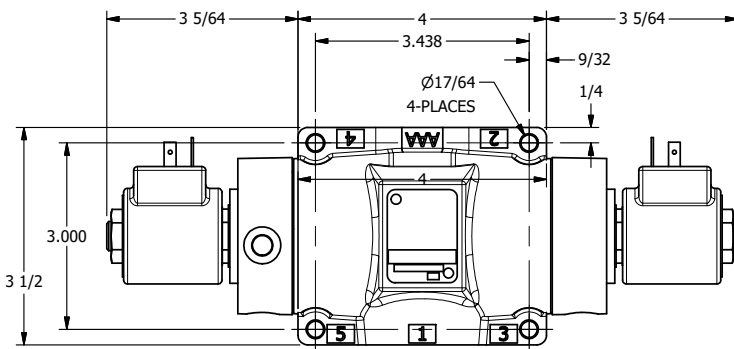
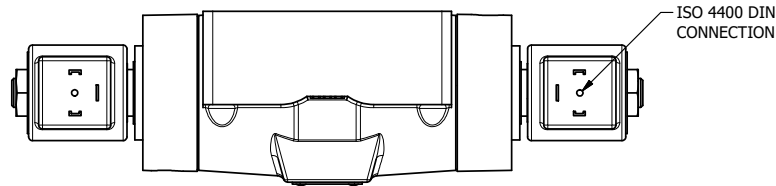


4

3

2

1



**AAA**  
PRODUCTS  
INTERNATIONAL

**AAA PRODUCTS INTERNATIONAL**  
7114 Harry Hines Blvd  
Dallas, TX 75235

TITLE:  $\frac{1}{2}$ " SUBPLATE, DBL SOL, 2 POS,  
FRICTION POS, SOL RTRN, 300 PSI,  
ISO 4400 DIN

DRAWING NO.:  
DIM\_SS4PEDV

THE INFORMATION CONTAINED WITHIN THIS DOCUMENT IS PROPRIETARY TO AAA PRODUCTS AND MAY NOT BE DISCLOSED WITHOUT PRIOR WRITTEN CONSENT

4

3

2

1

B

B

A

A