

4

3

2

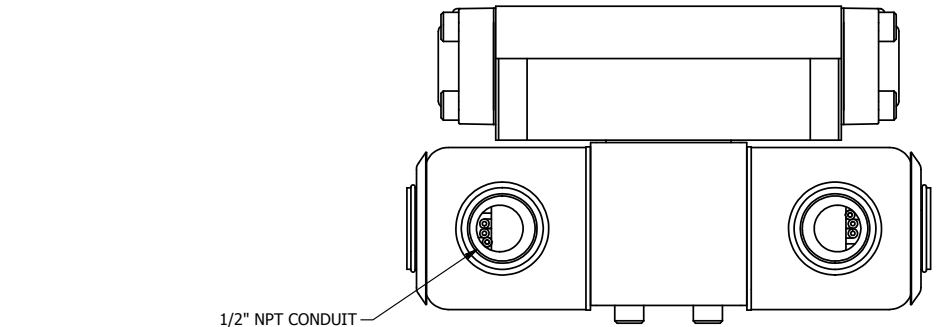
1

B

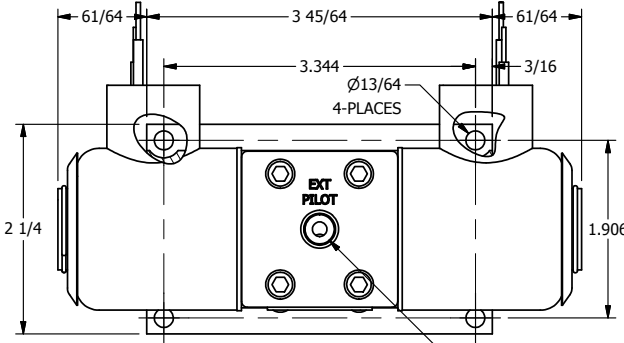
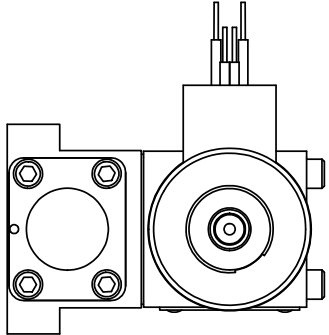
B

A

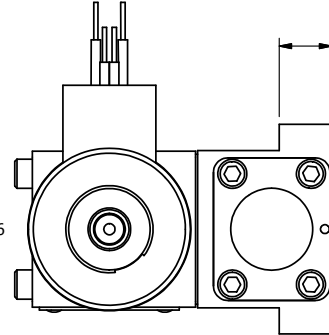
A



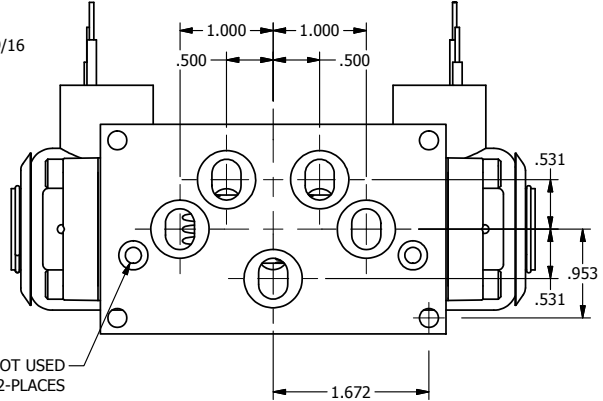
1/2" NPT CONDUIT CONNECTION



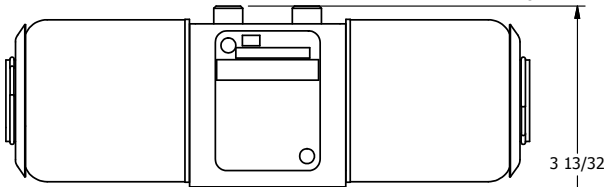
1/8" NPTF EXTERNAL PILOT



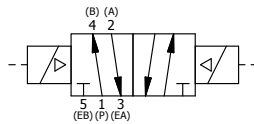
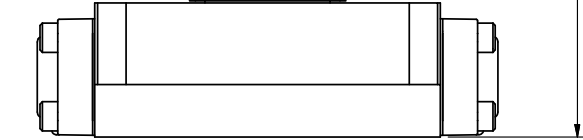
9/16



NOT USED 2-PLACES



3 13/32



AAA
PRODUCTS
INTERNATIONAL
7114 Harry Hines Blvd
Dallas, TX 75235

TITLE: 3/8" SUBPLATE, DBL SOL, 2 POS,
FRICTION POS, SOL RTRN,
EXPL PROOF, EXT PILOT

DRAWING NO.:
DIM_SS3PXZ

4

3

2

1

THE INFORMATION CONTAINED WITHIN THIS DOCUMENT IS PROPRIETARY TO AAA PRODUCTS AND MAY NOT BE DISCLOSED WITHOUT PRIOR WRITTEN CONSENT