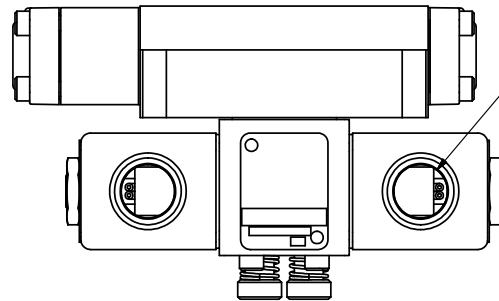


4

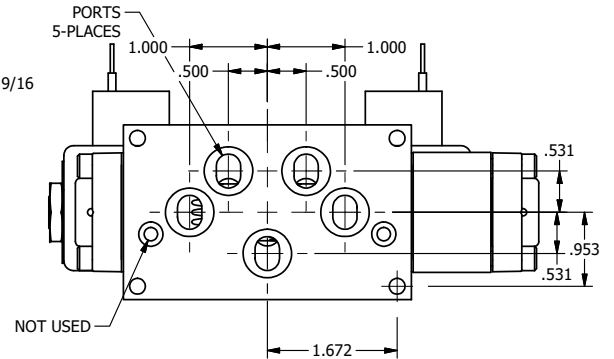
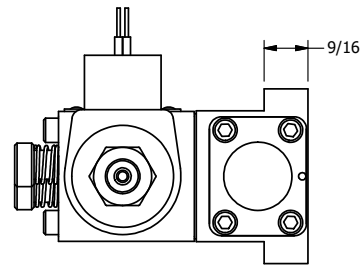
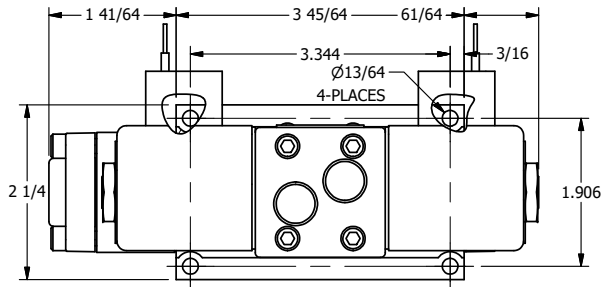
3

2

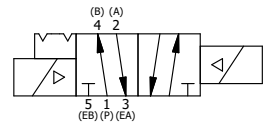
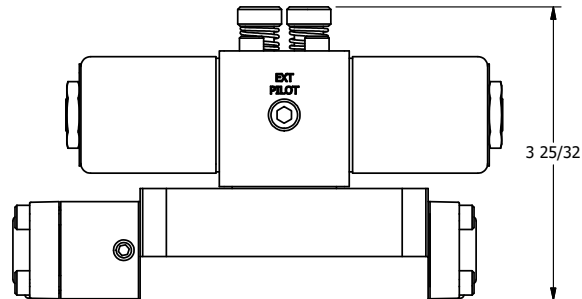
1



1/2" NPT CONDUIT CONNECTION



NOTES:  
1) REMOTE PILOT CAN BE ROUTED THROUGH SUBPLATE CONNECTION.



**AAA**  
PRODUCTS  
INTERNATIONAL

**AAA PRODUCTS INTERNATIONAL**  
7114 Harry Hines Blvd  
Dallas, TX 75235

TITLE: 3/8" SUBPLATE, DBL SOL, 2 POS,  
DETENT, SOL RTRN, CLASSIC,  
PUSH OVRD

DRAWING NO.:  
DIM\_SS3POPQ

THE INFORMATION CONTAINED WITHIN THIS DOCUMENT IS PROPRIETARY TO AAA PRODUCTS AND MAY NOT BE DISCLOSED WITHOUT PRIOR WRITTEN CONSENT

4

3

2

1

B

B

A

A