

4

3

2

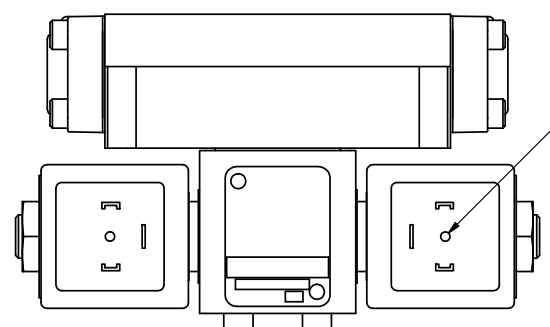
1

B

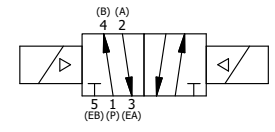
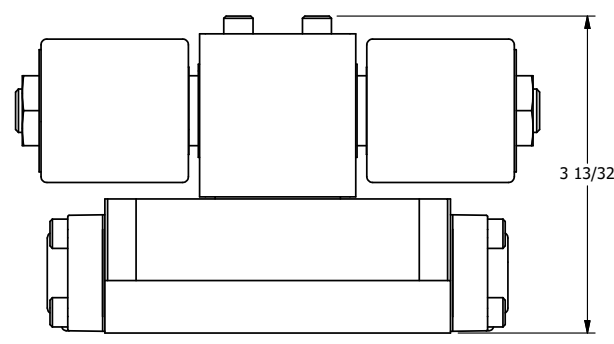
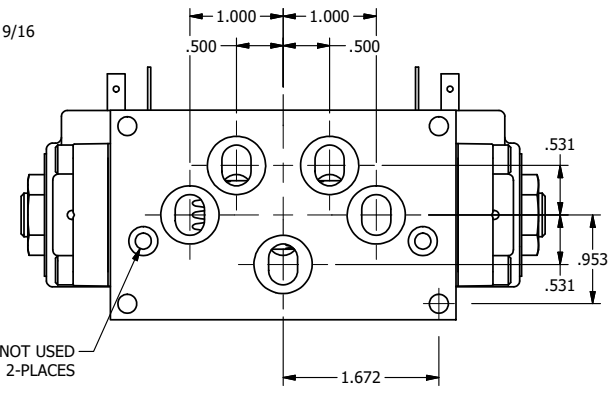
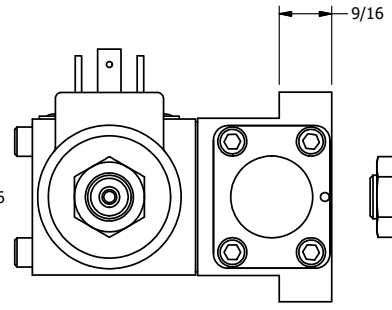
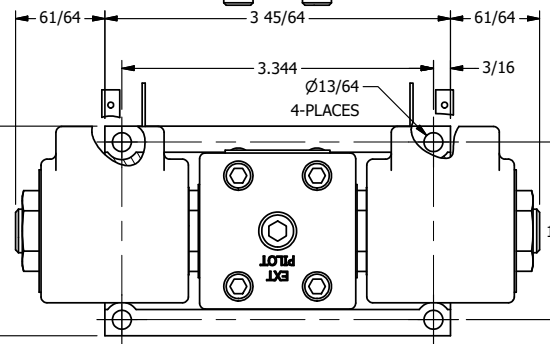
B

A

A



ISO 4400 DIN CONNECTION



**AAA**  
PRODUCTS  
INTERNATIONAL

**AAA PRODUCTS INTERNATIONAL**  
7114 Harry Hines Blvd  
Dallas, TX 75235

TITLE: 3/8" SUBPLATE, DBL SOL, 2 POS,  
FRICTION POS, SOL RTRN,  
ISO 4400 DIN, 300 PSI

DRAWING NO.:  
DIM\_SS3PEDV

THE INFORMATION CONTAINED WITHIN THIS DOCUMENT IS PROPRIETARY TO AAA PRODUCTS AND MAY NOT BE DISCLOSED WITHOUT PRIOR WRITTEN CONSENT

4

3

2

1

