

4

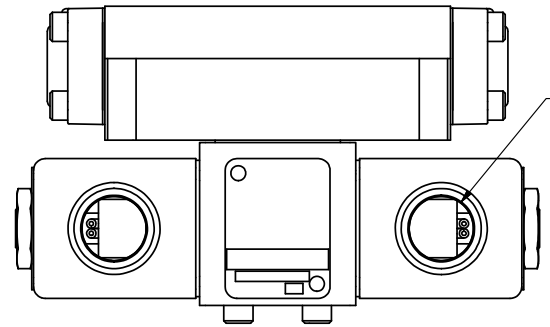
3

2

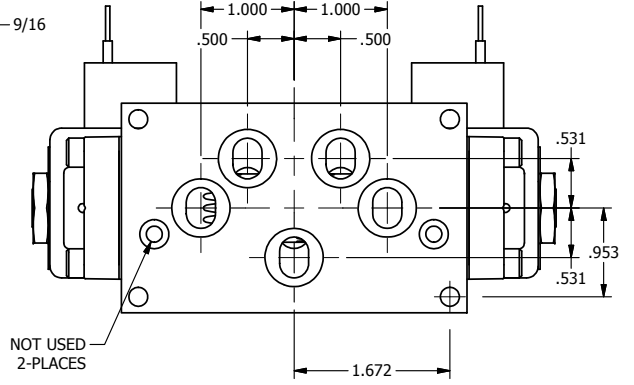
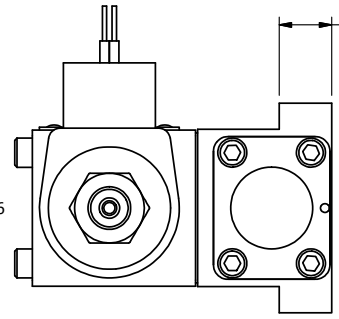
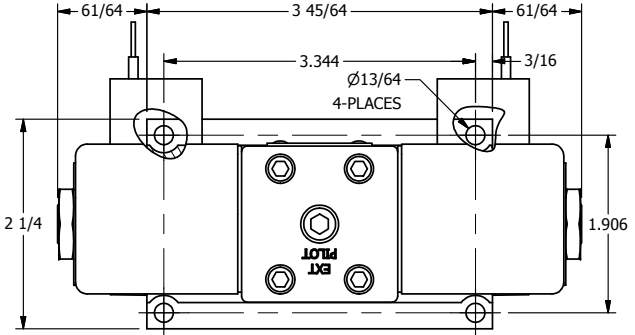
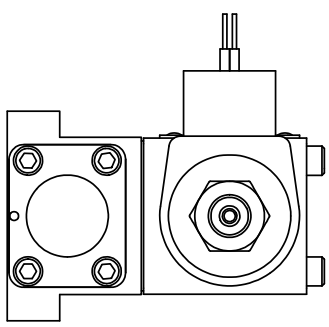
1

B

B



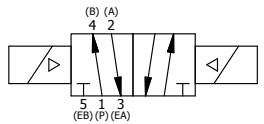
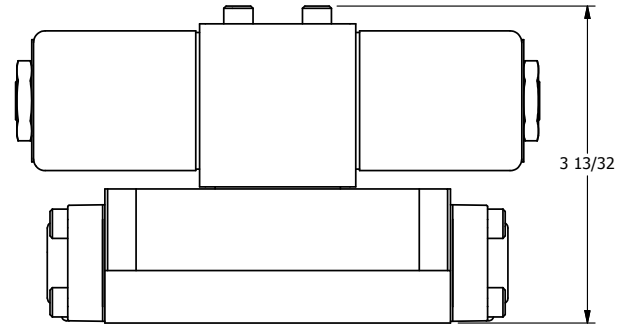
1/2" NPT CONDUIT CONNECTION



NOT USED 2-PLACES

A

A



AAA
PRODUCTS
INTERNATIONAL

AAA PRODUCTS INTERNATIONAL
7114 Harry Hines Blvd
Dallas, TX 75235

TITLE: 3/8" SUBPLATE, DBL SOL, 2 POS,
FRICTION POS, SOL RTRN,
CLASSIC SOL

DRAWING NO.:
DIM_SS3P

4

3

2

1

A

A

THE INFORMATION CONTAINED WITHIN THIS DOCUMENT IS PROPRIETARY TO AAA PRODUCTS AND MAY NOT BE DISCLOSED WITHOUT PRIOR WRITTEN CONSENT