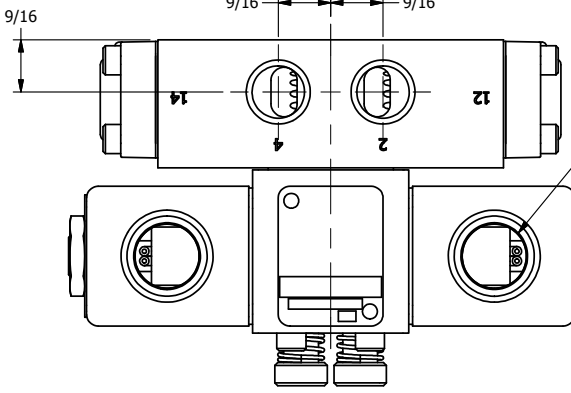


4

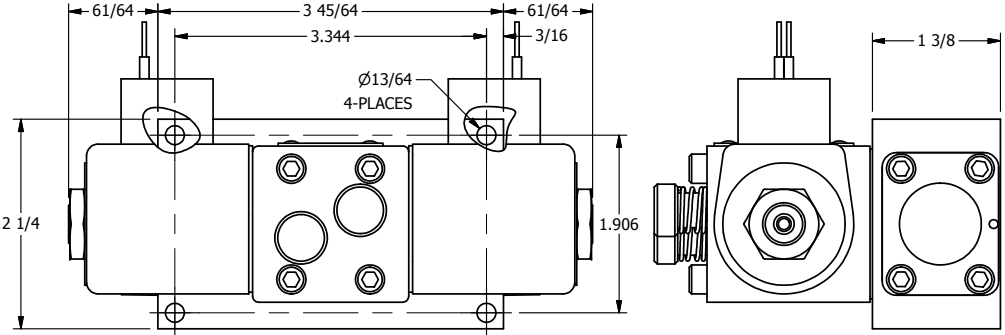
3

2

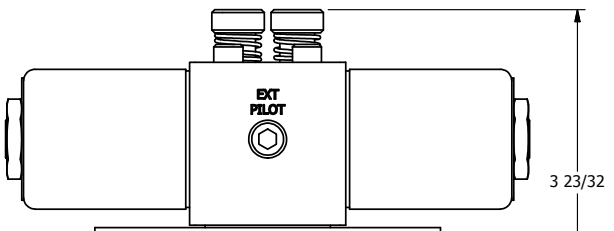
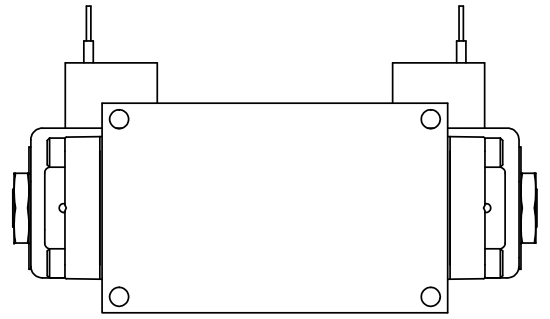
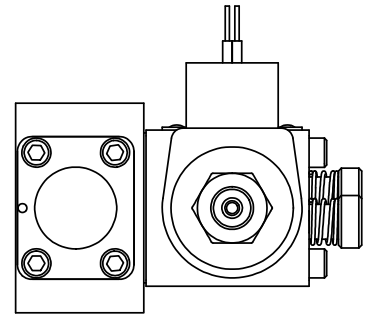
1



1/2" NPT CONDUIT CONNECTION

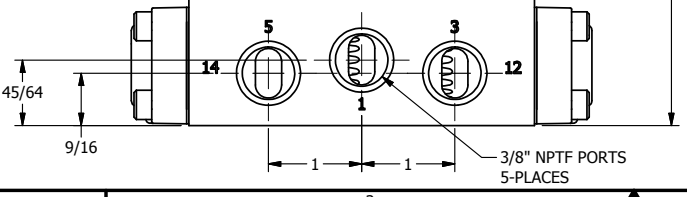


Ø13/64
4-PLACES

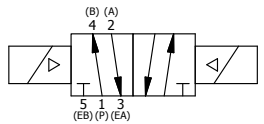


EXT
PILOT

3 23/32



3/8" NPTF PORTS
5-PLACES



AAA
PRODUCTS
INTERNATIONAL

**AAA PRODUCTS
INTERNATIONAL**
7114 Harry Hines Blvd
Dallas, TX 75235

TITLE $\frac{3}{8}$ " SIDE PORT, DBL SOL, 2 POS,
FRICTION POS, SOL RTRN,
CLASSIC SOL, PUSH OVRD

DRAWING NO.:
DIM_SS30P

THE INFORMATION CONTAINED WITHIN THIS DOCUMENT IS PROPRIETARY TO AAA PRODUCTS AND MAY NOT BE DISCLOSED WITHOUT PRIOR WRITTEN CONSENT

4

3

2

1

B

B

A

A