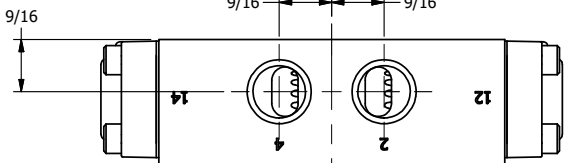


4

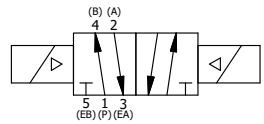
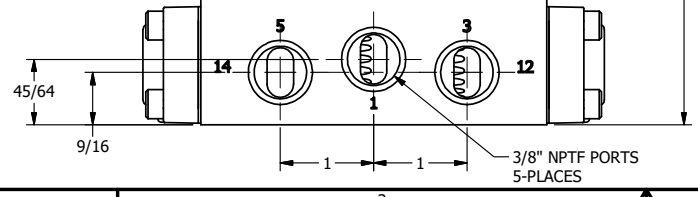
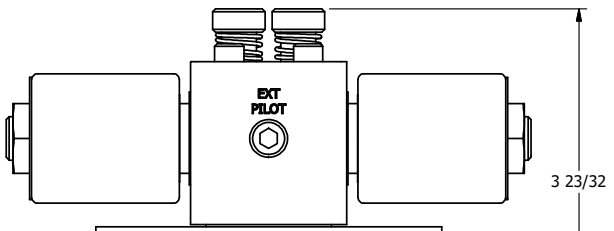
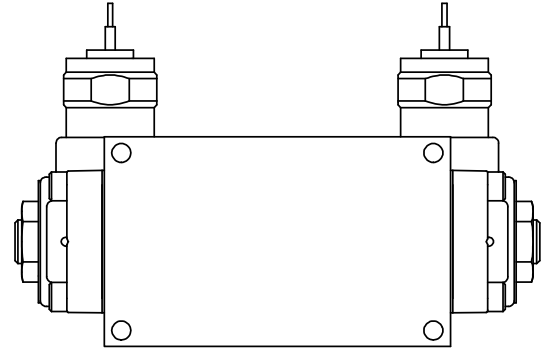
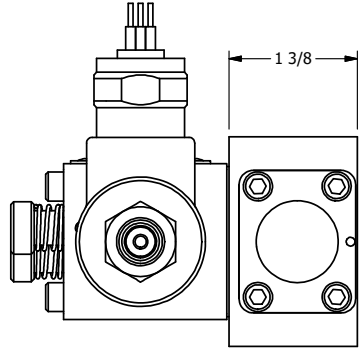
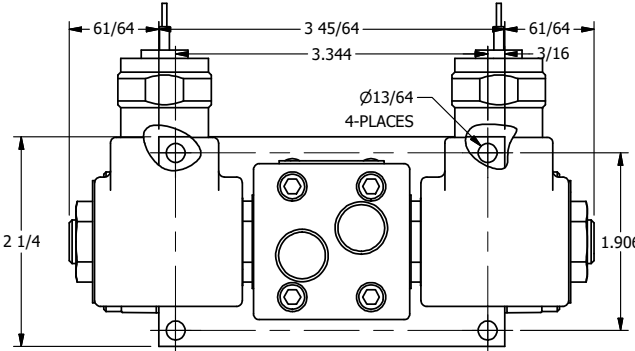
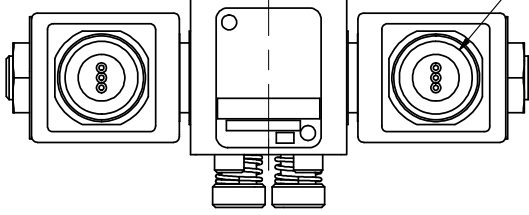
3

2

1



1/2" NPT CONDUIT CONNECTION



AAA
PRODUCTS
INTERNATIONAL

AAA PRODUCTS INTERNATIONAL
7114 Harry Hines Blvd
Dallas, TX 75235

TITLE: 3/8" SIDE PORT, DBL SOL, 2 POS,
SOL RTN, MOLD-OVER,
PUSH OVRD, TPD VENT

DRAWING NO.:
DIM_SS3MOPT

THE INFORMATION CONTAINED WITHIN THIS DOCUMENT IS PROPRIETARY TO AAA PRODUCTS AND MAY NOT BE DISCLOSED WITHOUT PRIOR WRITTEN CONSENT

4

3

2

1