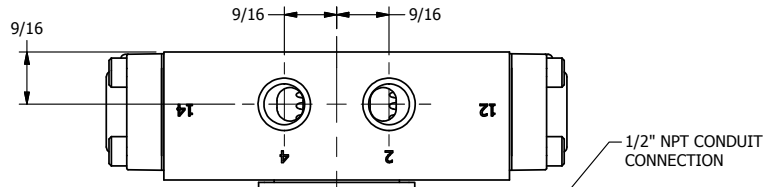


4

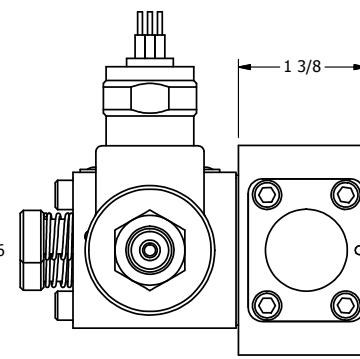
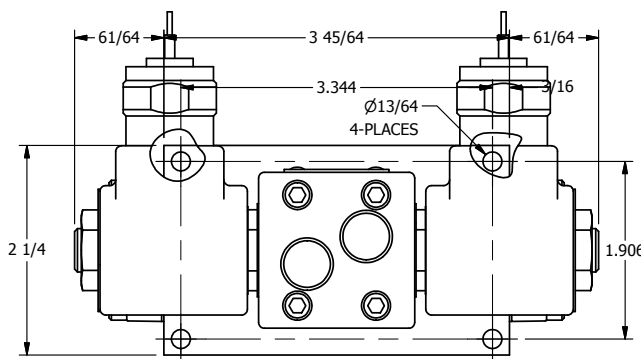
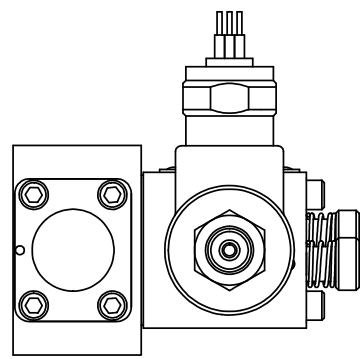
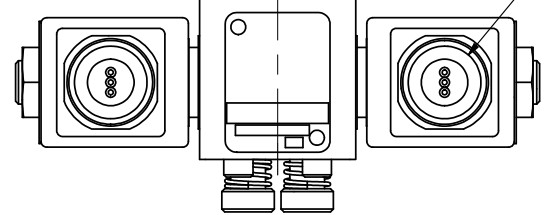
3

2

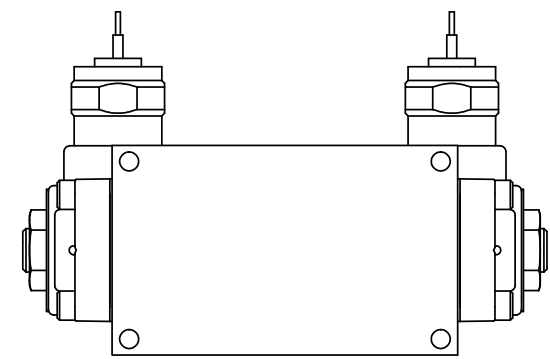
1



1/2" NPT CONDUIT CONNECTION



1 3/8

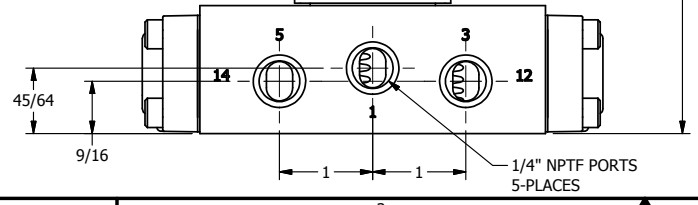
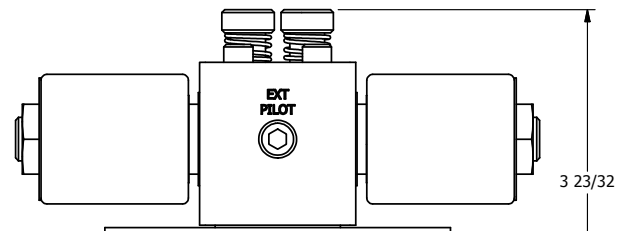


B

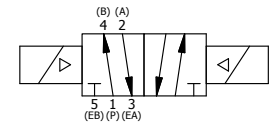
B

A

A



1/4" NPTF PORTS 5-PLACES



AAA
PRODUCTS
INTERNATIONAL

AAA PRODUCTS INTERNATIONAL
7114 Harry Hines Blvd
Dallas, TX 75235

TITLE: 1/4" SIDE PORT, DBL SOL, 2 POS,
FRICTION POS, SOL RTRN,
MOLD-OVER, PUSH OVRD

DRAWING NO.:
DIM_SS2MOP

THE INFORMATION CONTAINED WITHIN THIS DOCUMENT IS PROPRIETARY TO AAA PRODUCTS AND MAY NOT BE DISCLOSED WITHOUT PRIOR WRITTEN CONSENT

4

3

2

1

