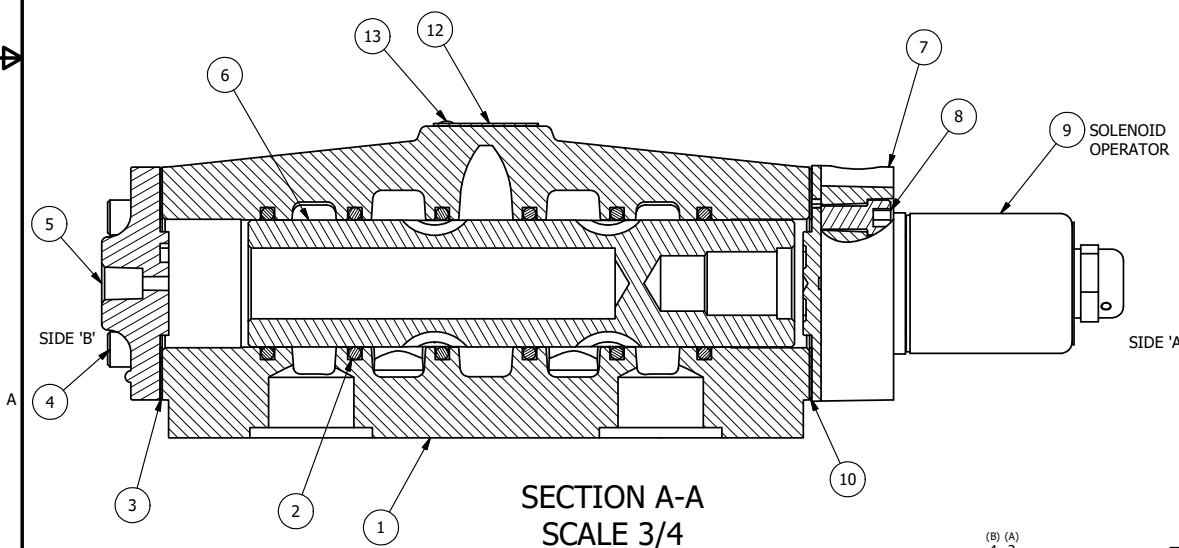


POSITION ECG48-1 GASKET ON END OF VALVE SO GASKET COVERS PILOT HOLE, SIDE 'B' ONLY

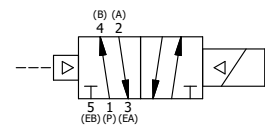
ALIGN PILOT AND HOLE IN ECG48 GASKET, SIDE 'A' ONLY FOR EXTERNAL PILOT OPERATION - ROTATE THE ROUND ALUMINUM ADAPTOR 90 OR 180 DEGREES. REMOVE 1/8" NPTF PLUG AND SUPPLY 50-160 PSI TO 1/8" NPTF PILOT PORT IN ADAPTOR.

NOTES:
 1) ALWAYS GIVE VALVE MODEL AND PART NUMBER WHEN ORDERING PARTS.
 2) FOR DIFFERENT VOLTAGES OTHER THAN 120/60, REPLACE SOLENOID COIL WITH COIL LISTED IN TABLE BELOW. SEE AY-38L ASSEMBLY FOR ADDITIONAL INFORMATION.

18	1	SPK-8	KIT - SUBPLATE MOUNT, 1" SUBPLATE VALVES
17	1	V-81	SCREW, 8-32 X 5/16, SOCKET SET, FULL DOG POINT
16	2	V-85	O-RING, BUNA-N, 70 DURO, AS-010, (REF 1/4 X 3/8 X 1/16), CLASSIC OVRD
15	1	OP4	PIN , MANUAL OVERRIDE, 1/2", 3/4" & 1" VALVES
14	1	OS3	SPRING - MANUAL OVERRIDE, "CLASSIC" SOLENOID
13	2	V-212	SCREW, #2 X 3/16 DRIVE, TYPE U, OVAL HEAD, STAINLESS STEEL
12	1	AN-115	NAMEPLATE, BLANK, FOR HE,KE,KD,RR,D,CR,PP,SR,SS VALVES
11	1	V-19	PLUG, SOCKET PIPE 1/8" NPT (#601-3 PITTSBURG PLUG PART #.)
10	1	ECG48	GASKET - END CAP, 1/2", 3/4" & 1" VALVE
9	1	AY-38L-11	CLASSIC SOLENOID, 120/60, W/DUST EXCLUDER
8	4	V-47	SCREW, 1/4-20 X 1, SOCKET HEAD CAP
7	1	SSA48-O	ADAPTOR, 'A' SIDE, CLASSIC SOL., OVERRIDE, 1/2", 3/4" & 1" VALVE
6	1	S8	SPOOL - STANDARD, 2 POS, CLSD CTR, 3/4" & 1" VALVE
5	1	PEC48	END CAP, PILOT, 380 AL, 1/2", 3/4" & 1" VALVES
4	4	V-46	SCREW, 1/4-20 X 3/4, SOCKET HEAD CAP
3	1	ECG48-1	GASKET - END CAP, LOWER PILOT, 1/2", 3/4" & 1" VALVE
2	6	V-30	O-RING, BUNA-N, 70 DURO, AS-220, (REF 1-3/8 X 1-5/8 X 1/8), 3/4" & 1" VALVES
1	1	BP8-4	BODY, 1" SUBPLATE, UPPER & LOWER PILOT
FLG	QTY	PART NO	DESCRIPTION



SECTION A-A
SCALE 3/4



OPERATOR VOLTAGES	
PART NO	REPLACE OPERATOR
SR8POL 240/60	AY-38L-17
SR8POL 24VDC	AY-38L-8
SR8POL 12VDC	AY-38L-5

LIMITS ON DIMENSIONS UNLESS OTHERWISE SPECIFIED 2-PL DECIMAL ± .01 3-PL DECIMAL ± .005 FRACTIONAL ± 1/64 ANGULAR ± 1/2°	AAA PRODUCTS INTERNATIONAL 7114 Harry Hines Blvd Dallas, TX 75235		
DRAWN: RMckenna	DATE: 11/14/2015	CHECKED: KWaite	DATE: 11/14/2015
SCALE: 3/4	SHEET: 1 OF 1	RELEASED: HWomack	DATE: 11/14/2015
TITLE: 1" SUBPLATE, SNGL SOL, 2 POS, FRICTION POS, PILOT RTRN, CLASSIC, 120/60, LCKNG OVRD, DUST EXCLDR		PART NO.:	REV.:
		SR8POL	

THE INFORMATION CONTAINED WITHIN THIS DOCUMENT IS PROPRIETARY TO AAA PRODUCTS AND MAY NOT BE DISCLOSED WITHOUT PRIOR WRITTEN CONSENT

© Valin Engineering Product Valve Assembly Classic (SR8POL) Law