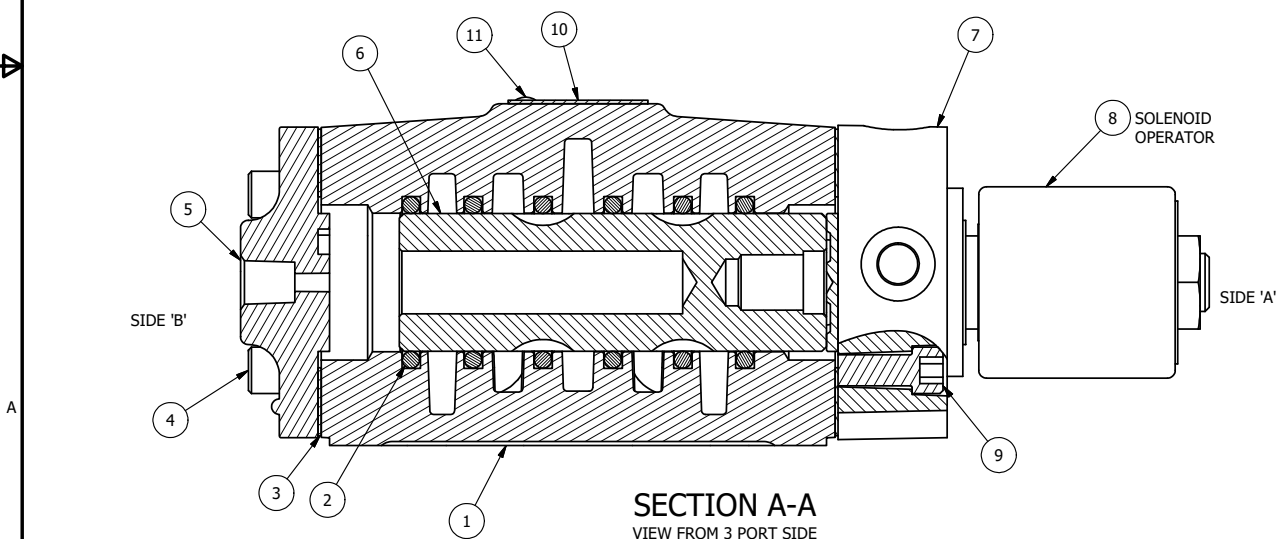


POSITION GASKET TO SEAL PILOT HOLE SIDE 'B' ONLY.

POSITION GASKET TO SEAL PILOT HOLE, SIDE 'A'. THE ROUND ALUMINUM ADAPTOR IS ROTATED 90 DEGREES. SUPPLY 50-160 PSI TO 1/8" NPTF PILOT PORT IN ADAPTOR.

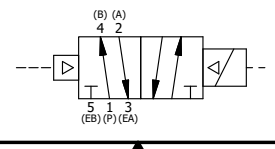
NOTES:
 1) ALWAYS GIVE VALVE MODEL AND PART NUMBER WHEN ORDERING PARTS.
 2) FOR DIFFERENT VOLTAGES OTHER THAN 120/60, REPLACE SOLENOID OPERATOR WITH OPERATOR LISTED IN TABLE BELOW. REFERENCE AY-38ED DRAWING FOR REPLACEMENT COILS.



SECTION A-A
 VIEW FROM 3 PORT SIDE

FLG	QTY	PART NO	DESCRIPTION
11	2	V-212	SCREW, #2 X 3/16 DRIVE, TYPE U, OVAL HEAD, STAINLESS STEEL
10	1	AN-115	NAMEPLATE, BLANK, FOR HE,KE,KD,RR,D,CR,PP,SR,SS VALVES
9	4	V-47	SCREW, 1/4-20 X 1, SOCKET HEAD CAP
8	1	AY-38ED-11	CLASSIC SOLENOID - ISO 4400 DIN, 120/60
7	1	SSA48	ADAPTOR, SOLENOID, 1/2", 3/4" & 1" VALVE
6	1	S4	SPOOL - STANDARD, 2 POS, CLSD CTR, 1/2" VALVE
5	1	PEC48	END CAP, PILOT, 380 AL, 1/2", 3/4" & 1" VALVES
4	4	V-46	SCREW, 1/4-20 X 3/4, SOCKET HEAD CAP
3	2	ECG48	GASKET - END CAP, 1/2", 3/4" & 1" VALVE
2	6	V-6	O-RING, BUNA-N, 70 DURO, AS-216, (REF 1-1/8 X 1-3/8 X 1/8), 1/2" VALVES, 1" SUBPLATE
1	1	B4-1	BODY, 1/2" SIDE PORT, UPPER PILOTS, ANODIZED

LIMITS ON DIMENSIONS UNLESS OTHERWISE SPECIFIED		2-PL DECIMAL ± .01 3-PL DECIMAL ± .005 FRACTIONAL ± 1/64 ANGULAR ± 1/2°	AAA PRODUCTS INTERNATIONAL 7114 Harry Hines Blvd Dallas, TX 75235											
DRAWN: RMckenna	DATE: 2/16/2016	CHECKED: KWaite		DATE: 2/16/2016										
SCALE: 1 : 1	SHEET: 1 OF 1	RELEASED: HWomack	DATE: 2/16/2016											
<table border="1"> <thead> <tr> <th colspan="2">OPERATOR VOLTAGES</th> </tr> <tr> <th>PART NO</th> <th>REPLACE OPERATOR</th> </tr> </thead> <tbody> <tr> <td>SR4EDZ 240/60</td> <td>AY-38ED-17</td> </tr> <tr> <td>SR4EDZ 24VDC</td> <td>AY-38ED-8</td> </tr> <tr> <td>SR4EDZ 12VDC</td> <td>AY-38ED-5</td> </tr> </tbody> </table>		OPERATOR VOLTAGES		PART NO	REPLACE OPERATOR	SR4EDZ 240/60	AY-38ED-17	SR4EDZ 24VDC	AY-38ED-8	SR4EDZ 12VDC	AY-38ED-5	TITLE: 1/2" SIDE PORT, SNGL SOL, 2 POS, FRICTION POS, PILOT RTRN, ISO 4400 DIN, 120/60, EXT PILOT	PART NO.: SR4EDZ	REV.:
OPERATOR VOLTAGES														
PART NO	REPLACE OPERATOR													
SR4EDZ 240/60	AY-38ED-17													
SR4EDZ 24VDC	AY-38ED-8													
SR4EDZ 12VDC	AY-38ED-5													



THE INFORMATION CONTAINED WITHIN THIS DOCUMENT IS PROPRIETARY TO AAA PRODUCTS AND MAY NOT BE DISCLOSED WITHOUT PRIOR WRITTEN CONSENT

D:\Engineering\product\Valve Assembly\Classic\SR4\G\SR4EDZ.dwg