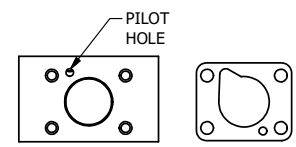
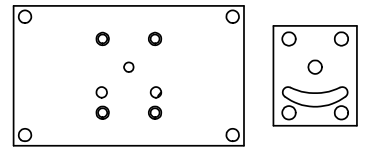


POSITION GASKET TO SEAL PILOT HOLE ON SIDE 'B' AS SHOWN.

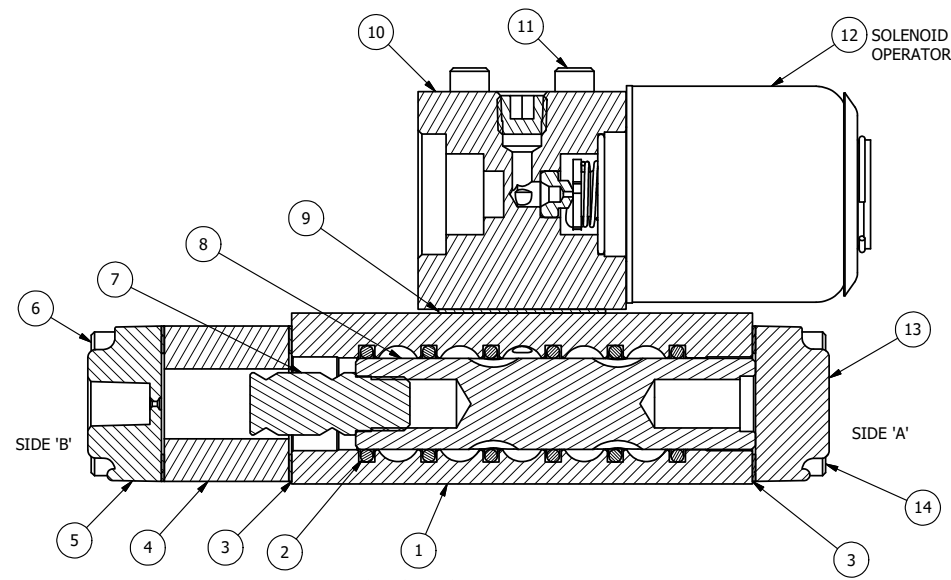


ALIGN PILOT HOLE AND CENTER CUTOUT ON SIDE 'A' AS SHOWN.



ALIGN HOLES IN GASKET AS SHOWN. FOR EXTERNAL PILOT PRESSURE, REMOVE PIGGY BACK BLOCK AND ROTATE 180°. LEAVE GASKET AS SHOWN. REMOVE 1/8" PLUG AND CONNECT SUPPLY PRESSURE - 160 PSI MAX.

- NOTES:
 1) ALWAYS GIVE VALVE MODEL AND PART NUMBER WHEN ORDERING PARTS.
 2) FOR DIFFERENT VOLTAGES OTHER THAN 120/60, REPLACE SOLENOID OPERATOR WITH OPERATOR LISTED IN TABLE BELOW.
 3) LUBRICATE DETENT BALL, SPRING AND STUD.

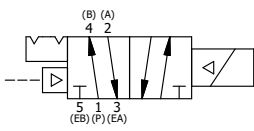


SECTION A-A
VIEW FROM 3 PORT SIDE

| | | | |
|-----|-----|-----------|--|
| 20 | 2 | V-212 | SCREW, #2 X 3/16 DRIVE, TYPE U, OVAL HEAD, STAINLESS STEEL |
| 19 | 1 | AN-114 | NAMEPLATE, BLANK, FOR VALVES WITH SPRINGS OR DETENTS |
| 18 | 1 | V-21 | SCREW, 1/4-20 X 3/16, SOCKET SET, CUP POINT |
| 17 | 1 | DS3 | SPRING - DETENT, 1/4" & 3/8" VALVE |
| 16 | 1 | V-14 | BALL, CHROME STEEL 3/16 DIA, GRADE 25, FOR DETENT |
| 15 | 1 | V-19 | PLUG, 1/8-27 NPT, 7/8 TAPER, FLUSH SEAL, SOCKET PIPE PLUG |
| 14 | 4 | V-38 | SCREW, 10-24 X 3/4, SOCKET HEAD CAP |
| 13 | 1 | SEC3-1 | END CAP, NON-VENTED, 380 AL, 1/4" & 3/8" VALVES |
| 12 | 1 | AY-38X-11 | CLASSIC SOLENOID - EXPLOSION PROOF, 120/60VAC, 38.5VDC, 110/50VAC |
| 11 | 4 | V-1 | SCREW, 10-24 X 2, SOCKET HEAD CAP |
| 10 | 1 | PB3-1E | ADAPTOR - SINGLE SOLENOID, 1/4" & 3/8" VALVES |
| 9 | 1 | PBG3-1 | GASKET - PIGGY BACK, SINGLE SOLENOID, 1/4" & 3/8" VALVE |
| 8 | 1 | S3R | SPOOL - SOLID, STANDARD, 2 POS, CLSD CTR, 1/4" & 3/8" VALVE |
| 7 | 1 | PBS3-13 | STUD - POS. A & C. DETENT, SOLENOID OPERATOR, STAINLESS, 1/4" & 3/8" VALVE |
| 6 | 4 | V-614 | SCREW, 10-24 X 1-3/4", SOCKET HEAD CAP |
| 5 | 1 | PEC3 | END CAP, PILOT, 380 AL, 1/4" & 3/8" VALVE |
| 4 | 1 | PEC3-18 | ENDCAP, SPACER, DETENT, SOLENOID, 6061-T6, 1/4" & 3/8" VALVES |
| 3 | 3 | ECG3 | GASKET - END CAP, 1/4" & 3/8" VALVE |
| 2 | 6 | V-39 | O-RING, VITON, STD BODY, 1/4" & 3/8" VALVES |
| 1 | 1 | B3-6E | BODY - SOLID, PIGGY BACK, ANODIZED, 3/8" SIDE PORT VALVE |
| FLG | QTY | PART NO | DESCRIPTION |

| | | | | | | | |
|--|--|--|--|--|--|-----------------|--|
| LIMITS ON DIMENSIONS UNLESS OTHERWISE SPECIFIED | | 2-PL DECIMAL ± .01 3-PL DECIMAL ± .005 FRACTIONAL ± 1/64 ANGULAR ± 1/2° | | AAA PRODUCTS INTERNATIONAL 7114 Harry Hines Blvd Dallas, TX 75235 | | | |
| DRAWN: RMckenna | | DATE: 3/14/2016 | | CHECKED: KWaite | | DATE: 3/14/2016 | |
| SCALE: 1 : 1 | | SHEET: 1 OF 1 | | RELEASED: HWomack | | DATE: 3/14/2016 | |
| TITLE: 3/8" SIDE PORT, SNGL SOL, 2 POS, DETENT, PILOT RTRN, EXPL PROOF, 120/60 | | | | PART NO.: | | REV.: | |
| | | | | SR3XQ | | | |

| OPERATOR VOLTAGES | |
|-------------------|------------------|
| PART NO | REPLACE OPERATOR |
| SR3XQ 240/60 | AY-38X-17 |
| SR3XQ 24VDC | AY-38X-8 |
| SR3XQ 12VDC | AY-38X-5 |



THE INFORMATION CONTAINED WITHIN THIS DOCUMENT IS PROPRIETARY TO AAA PRODUCTS AND MAY NOT BE DISCLOSED WITHOUT PRIOR WRITTEN CONSENT