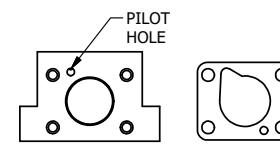
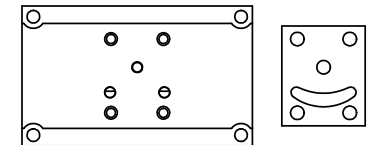


POSITION GASKET TO SEAL PILOT HOLE ON SIDE 'B' AS SHOWN.



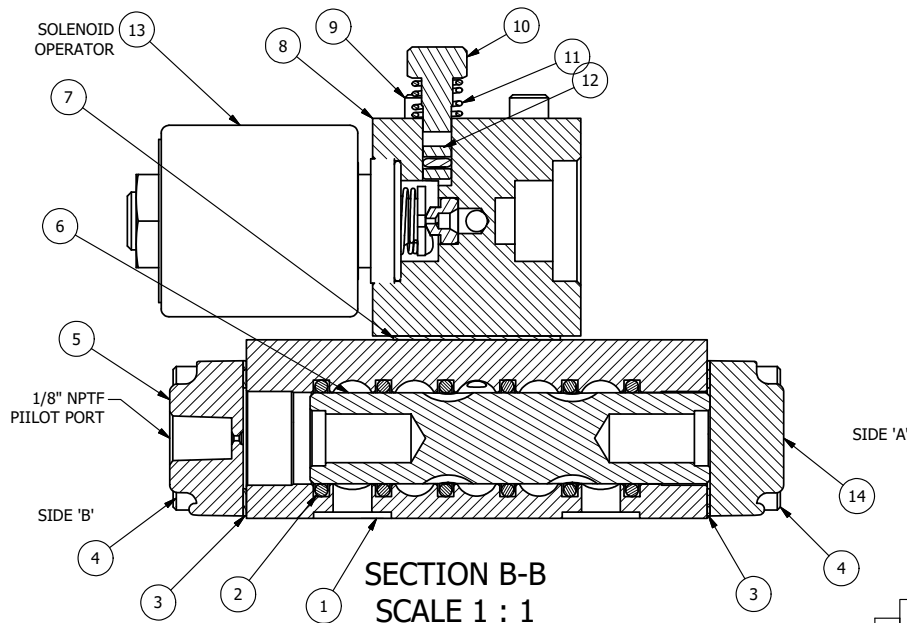
ALIGN PILOT HOLE AND CENTER CUTOUT ON SIDE 'A' AS SHOWN.



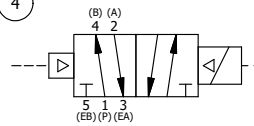
ALIGN HOLES IN GASKET AS SHOWN.
(PIGGY BACK BLOCK IS ROTATED 180°. CONNECT SUPPLY PRESSURE - 160 PSI MAX.)

NOTES:

- 1) ALWAYS GIVE VALVE MODEL AND PART NUMBER WHEN ORDERING PARTS.
- 2) FOR DIFFERENT VOLTAGES OTHER THAN 120/60, REPLACE SOLENOID OPERATOR WITH OPERATOR LISTED IN TABLE BELOW. REFERENCE AY-38ED DRAWING FOR REPLACEMENT COILS.



SECTION B-B
SCALE 1 : 1



18	1	SPK-3	KIT - SUBPLATE MOUNTING, 3/8" SUBPLATE VALVES
17	2	V-212	SCREW, #2 X 3/16 DRIVE, TYPE U, OVAL HEAD, STAINLESS STEEL
16	1	AN-115	NAMEPLATE, BLANK, FOR HE,KE,KD,RR,D,CR,PP,SR,SS VALVES
15	1	V-81	SCREW, 8-32 X 5/16, SOCKET SET, FULL DOG POINT
14	1	SEC3-1	END CAP, NON-VENTED, 380 AL, 1/4" & 3/8" VALVES
13	1	AY-38ED-11	CLASSIC SOLENOID - ISO 4400 DIN, 120/60
12	1	V-85	O-RING, BUNA-N, 70 DURO, AS-010, (REF 1/4 X 3/8 X 1/16), CLASSIC OVRD
11	1	OS3	SPRING - MANUAL OVERRIDE, "CLASSIC" SOLENOID
10	1	OP3	PIN - MANUAL OVERRIDE, 1/4" & 3/8" VALVES
9	4	V-1	SCREW, 10-24 X 2, SOCKET HEAD CAP
8	1	PB3-3E	ADAPTOR - SNGL SOL., W/OVERRIDE, 1/4" & 3/8" VALVES
7	1	PBG3-1	GASKET - PIGGY BACK, SINGLE SOLENOID, 1/4" & 3/8" VALVE
6	1	S3R	SPOOL - SOLID, STANDARD, 2 POS, CLSD CTR, 1/4" & 3/8" VALVE
5	1	PEC3	END CAP, PILOT, 380 AL, 1/4" & 3/8" VALVE
4	8	V-38	SCREW, 10-24 X 3/4, SOCKET HEAD CAP
3	2	ECG3	GASKET - END CAP, 1/4" & 3/8" VALVE
2	6	V-39	O-RING, VITON, STD BODY, 1/4" & 3/8" VALVES
1	1	BP3-8E	BODY - SOLID, PIGGY BACK, LOWER PILOTS, 3/8" SUBPLATE VALVE
FLG	QTY	PART NO	DESCRIPTION

LIMITS ON DIMENSIONS
UNLESS
OTHERWISE SPECIFIED

2-PL DECIMAL ± .01
3-PL DECIMAL ± .005
FRACTIONAL ± 1/64
ANGULAR ± 1/2°



DRAWN: RMckenna DATE: 12/9/2016
SCALE: 1 : 1 SHEET: 1 OF 1

CHECKED: KWaite DATE: 12/9/2016
RELEASED: HWomack DATE: 12/9/2016

OPERATOR VOLTAGES	
PART NO	REPLACE OPERATOR
SR3PEDOZ 240/60	AY-38ED-17
SR3PEDOZ 24VDC	AY-38ED-8
SR3PEDOZ 12VDC	AY-38ED-5

TITLE:
3/8" SUBPLATE, SNGL SOL, 2 POS,
PILOT RTRN, ISO 4400, 120/60,
LCKNG OVRD, EXT PILOT

PART NO.:
SR3PEDOZ

THE INFORMATION CONTAINED WITHIN THIS DOCUMENT IS PROPRIETARY TO AAA PRODUCTS AND MAY NOT BE DISCLOSED WITHOUT PRIOR WRITTEN CONSENT