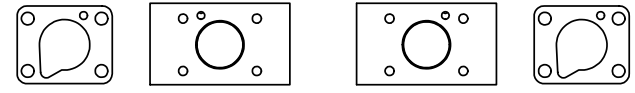
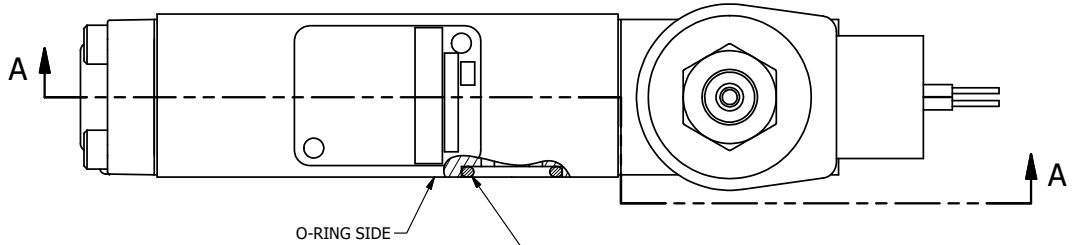


4 | 3 | 2 | 1

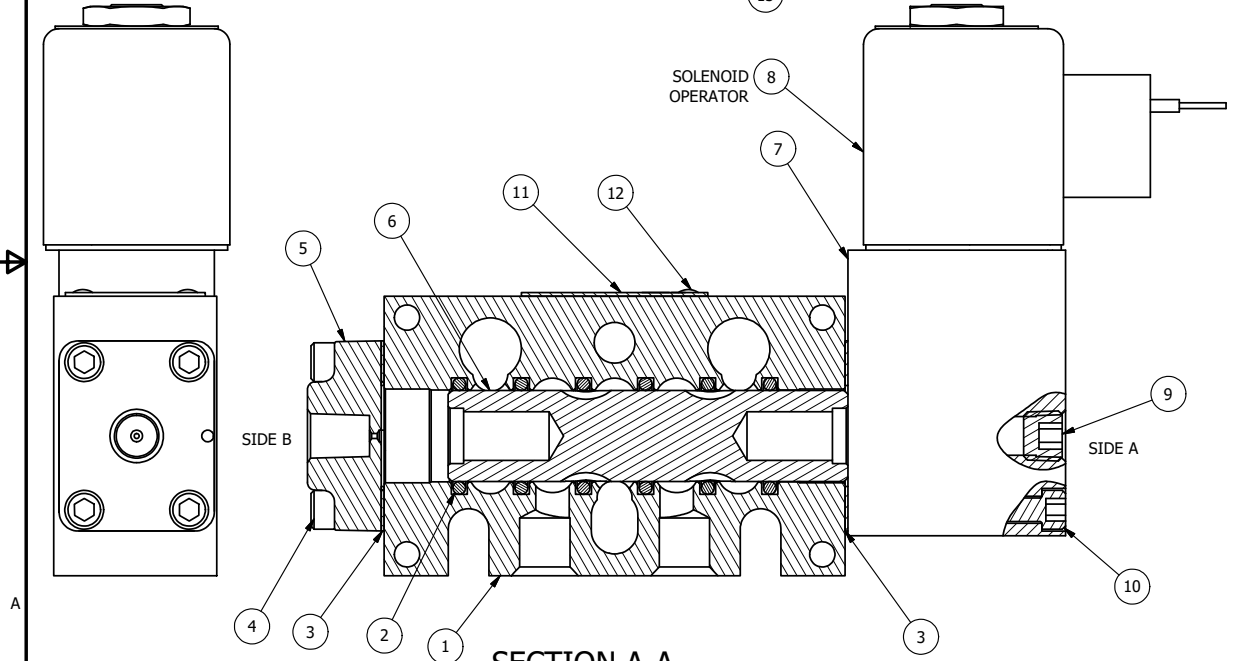


POSITION GASKET ON END OF VALVE TO SEAL PILOT HOLE IF PRESENT, SIDE 'B' ONLY

POSITION GASKET ON END OF VALVE TO ALIGN PILOT HOLES, SIDE 'A' ONLY

NOTES:

- 1) ALWAYS GIVE VALVE MODEL AND PART NUMBER WHEN ORDERING PARTS.
- 2) FOR DIFFERENT VOLTAGES OTHER THAN 120/60, REPLACE SOLENOID OPERATOR WITH OPERATOR LISTED IN TABLE BELOW. REFERENCE AY-38 DRAWING FOR REPLACEMENT COILS.



SECTION A-A  
VIEW FROM O-RING SIDE

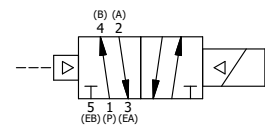
|     |     |          |   |
|-----|-----|----------|---|
| 13  | 3   | V-110    | O-RING, BUNA-N, 70 DURO, AS-114, (REF 5/8 X 13/16 X 3/32), 1/4" SLEEVE, 1/2" SUB, STACK |
| 12  | 2   | V-212    | SCREW, #2 X 3/16 DRIVE, TYPE U, OVAL HEAD, STAINLESS STEEL                              |
| 11  | 1   | AN-115   | NAMEPLATE, BLANK, FOR HE,KE,KD,RR,D,CR,PP,SR,SS VALVES                                  |
| 10  | 4   | V-1      | SCREW, 10-24 X 2, SOCKET HEAD CAP   |
| 9   | 1   | V-19     | PLUG, SOCKET PIPE 1/8" NPT (#601-3 PITTSBURG PLUG PART #.)                              |
| 8   | 1   | AY-38-11 | CLASSIC SOLENOID - STANDARD, COMPLETE OPERATOR, 120/60                                  |
| 7   | 1   | PB3-5E   | ADAPTOR - SOLENOID, SINGLE PILOT, 1/4" & 3/8" STACKING VALVE                            |
| 6   | 1   | S3R      | SPOOL - SOLID, STANDARD, 2 POS, CLSD CTR, 1/4" & 3/8" VALVE                             |
| 5   | 1   | PEC3     | END CAP, PILOT, 300 AL, 1/4" & 3/8" VALVE   |
| 4   | 4   | V-38     | SCREW, 10-24 X 3/4, SOCKET HEAD CAP   |
| 3   | 2   | ECG3     | GASKET - END CAP, 1/4" & 3/8" VALVE   |
| 2   | 6   | V-39     | O-RING, VITON, STD BODY, 1/4" & 3/8" VALVES   |
| 1   | 1   | B2-10E   | FINISHED - SOLID BODY, UPPER PILOTS, 1/4" STACKING VALVE                                |
| FLG | QTY | PART NO  | DESCRIPTION   |

LIMITS ON DIMENSIONS  
UNLESS OTHERWISE SPECIFIED  
2-PL DECIMAL ± .01  
3-PL DECIMAL ± .005  
FRACTIONAL ± 1/64  
ANGULAR ± 1/2°



DRAWN: RMckenna DATE: 12/20/2014 CHECKED: KWaite DATE: 5/30/2015  
SCALE: 1 : 1 SHEET: 1 OF 1 RELEASED: HWomack DATE: 5/30/2015

| OPERATOR VOLTAGES |                  |
|-------------------|------------------|
| PART NO           | REPLACE OPERATOR |
| BSR2 240/60       | AY-38-17         |
| BSR2 24VDC        | AY-38-8          |
| BSR2 12VDC        | AY-38-5          |



TITLE: 1/4" STACK, SNGL SOL, 2 POS, FRICTION POS, PILOT RTRN, CLASSIC SOL, 120/60  
PART NO.: BSR2  
REV.:

THE INFORMATION CONTAINED WITHIN THIS DOCUMENT IS PROPRIETARY TO AAA PRODUCTS AND MAY NOT BE DISCLOSED WITHOUT PRIOR WRITTEN CONSENT

4 | 3 | 2 | 1