

4

3

2

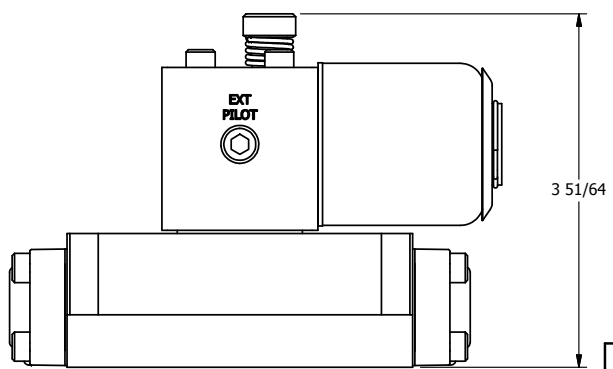
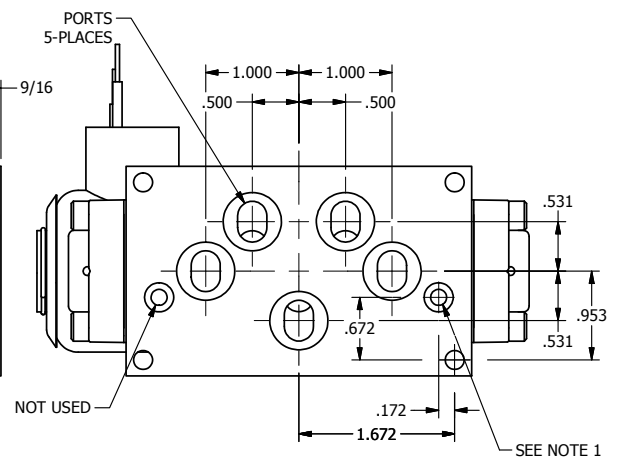
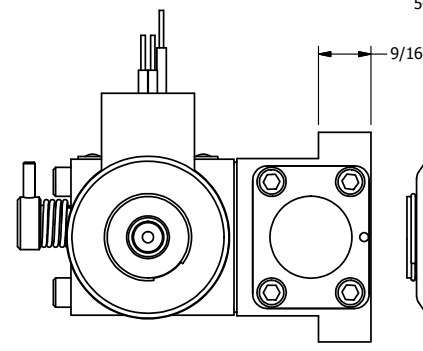
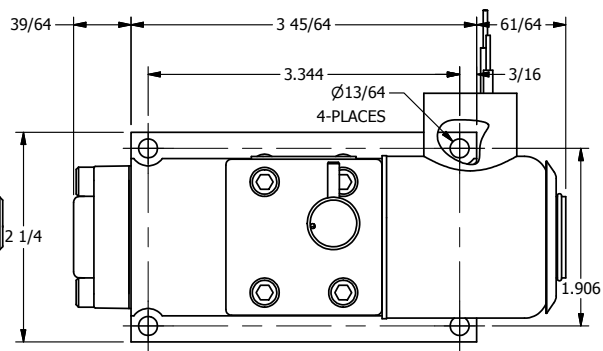
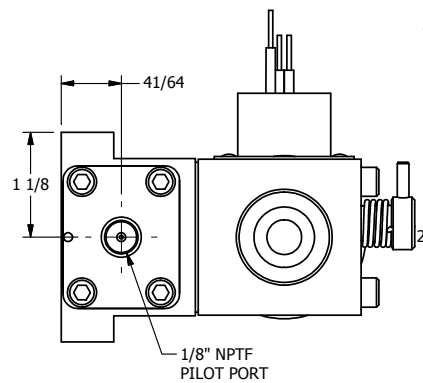
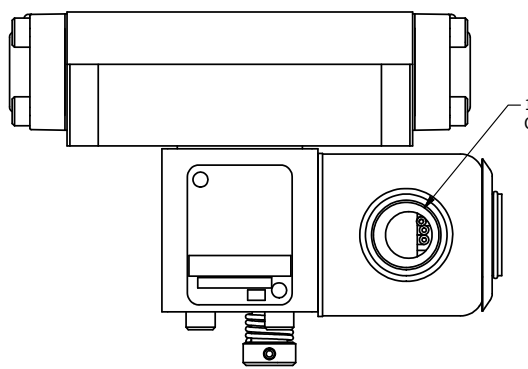
1

B

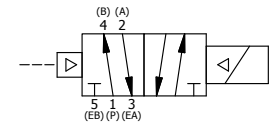
B

A

A



NOTES:
1) REMOTE PILOT CAN BE ROUTED THROUGH SUBPLATE CONNECTION.



AAA
PRODUCTS
INTERNATIONAL
7114 Harry Hines Blvd
Dallas, TX 75235

TITLE 5/8" SUBPLATE, SNGL SOL, 2 POS,
FRICTION POS, PILOT RTRN,
EXPL PROOF, NON-LCKNG OVRD

DRAWING NO.:
DIM_SR3PXON

4

3

2

1

A

A

THE INFORMATION CONTAINED WITHIN THIS DOCUMENT IS PROPRIETARY TO AAA PRODUCTS AND MAY NOT BE DISCLOSED WITHOUT PRIOR WRITTEN CONSENT