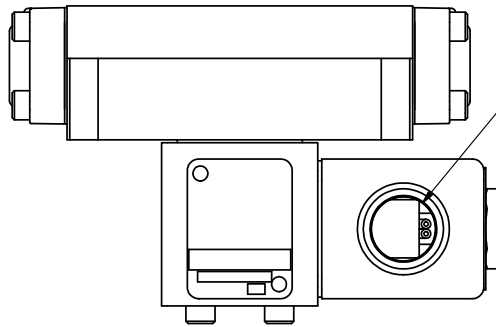


4

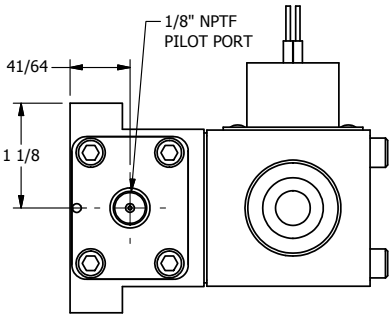
3

2

1



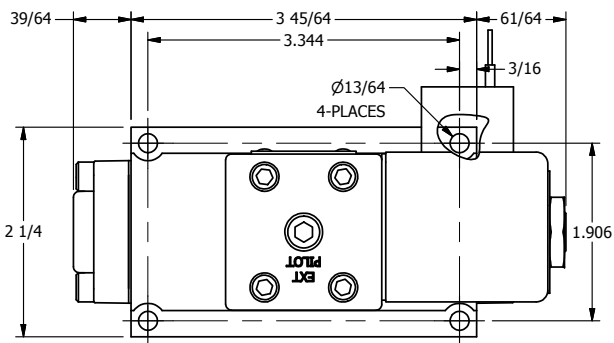
1/2" NPT CONDUIT CONNECTION



1/8" NPTF PILOT PORT

41/64

1 1/8



39/64

3 45/64

3.344

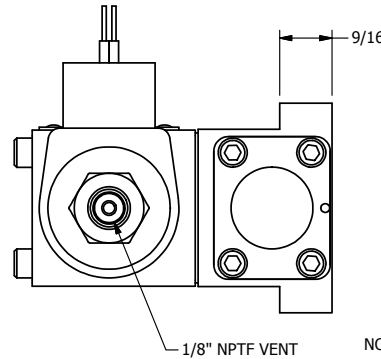
61/64

3/16

Ø13/64  
4-PLACES

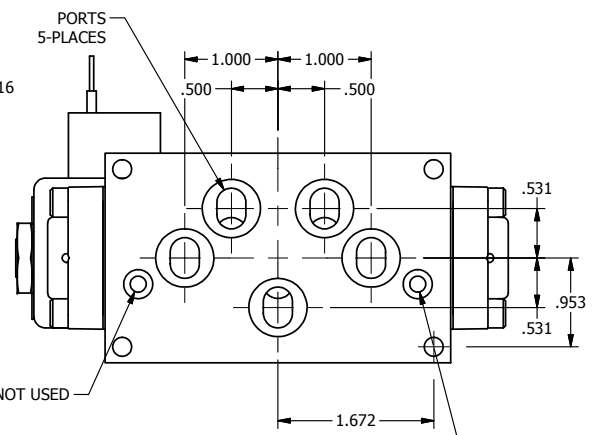
2 1/4

1.906



1/8" NPTF VENT

9/16



PORTS  
5-PLACES

1.000

1.000

.500

.500

.531

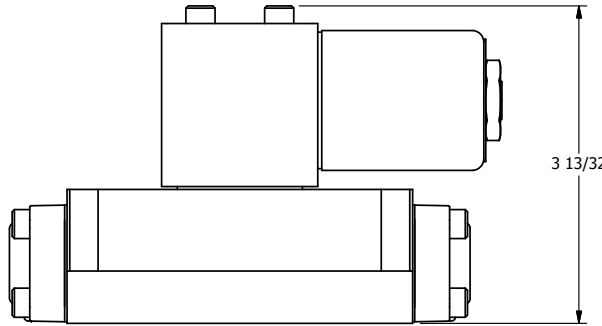
.953

.531

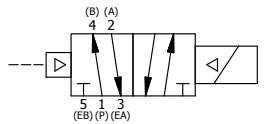
1.672

SEE NOTE 1

NOTES:  
1) REMOTE PILOT CAN BE ROUTED THROUGH SUBPLATE CONNECTION.



3 13/32



(B) (A)  
4 2  
5 1 3  
(EB) (P) (EA)

**AAA**  
PRODUCTS  
INTERNATIONAL  
7114 Harry Hines Blvd  
Dallas, TX 75235

TITLE 5/8" SUBPLATE, SNGL SOL, 2 POS,  
FRICTION POS, PILOT RTRN,  
CLASSIC SOL, TAPPED VENT

DRAWING NO.:  
DIM\_SR3PT

THE INFORMATION CONTAINED WITHIN THIS DOCUMENT IS PROPRIETARY TO AAA PRODUCTS AND MAY NOT BE DISCLOSED WITHOUT PRIOR WRITTEN CONSENT

4

3

2

1