

4

3

2

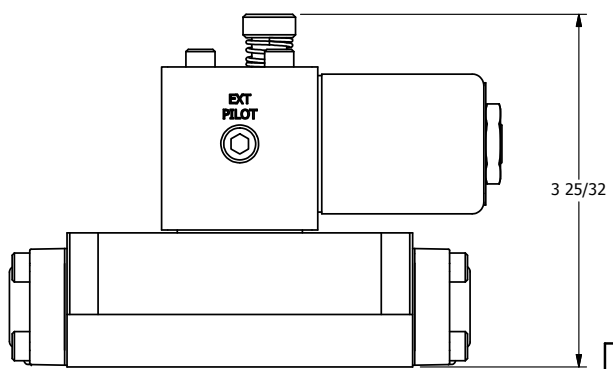
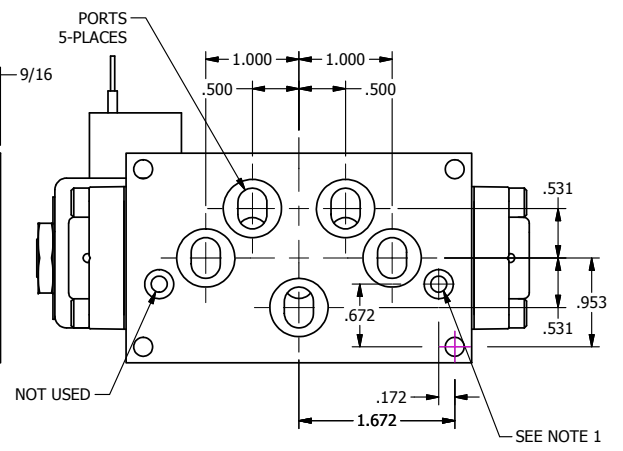
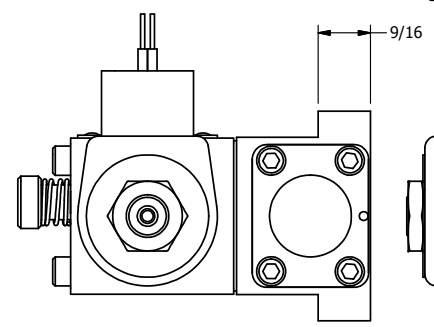
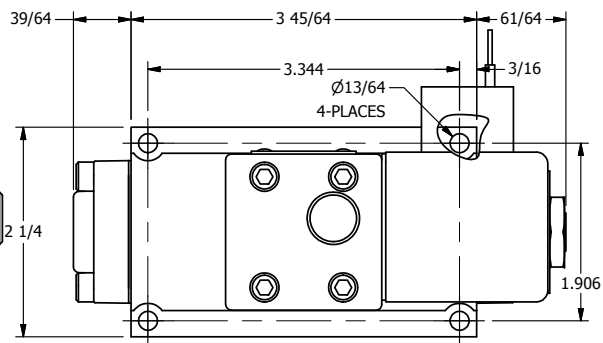
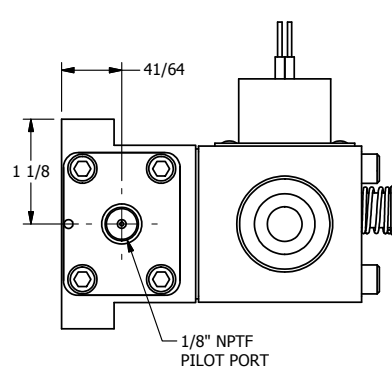
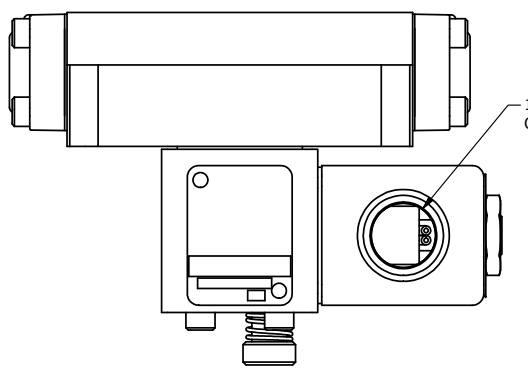
1

B

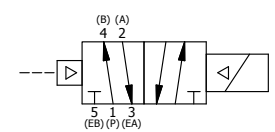
B

A

A



NOTES:  
1) REMOTE PILOT CAN BE ROUTED THROUGH SUBPLATE CONNECTION.



**AAA**  
PRODUCTS  
INTERNATIONAL  
AAA PRODUCTS  
INTERNATIONAL  
7114 Harry Hines Blvd  
Dallas, TX 75235

TITLE 5/8" SUBPLATE, SNGL SOL, 2 POS,  
FRICTION POS, PILOT RTRN,  
CLASSIC SOL, PUSH OVRD

DRAWING NO.:  
DIM\_SR3POP

4

3

2

1

A

A

THE INFORMATION CONTAINED WITHIN THIS DOCUMENT IS PROPRIETARY TO AAA PRODUCTS AND MAY NOT BE DISCLOSED WITHOUT PRIOR WRITTEN CONSENT