

4

3

2

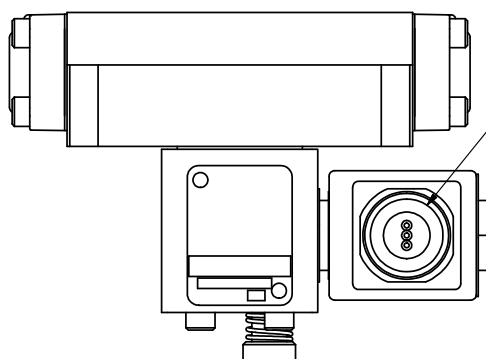
1

B

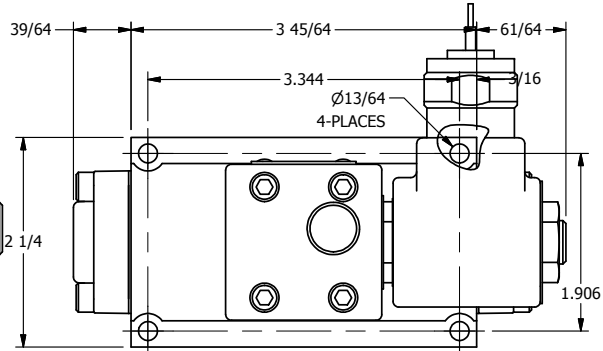
B

A

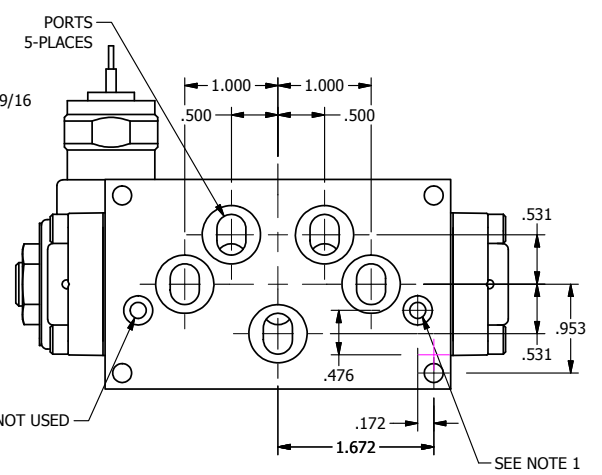
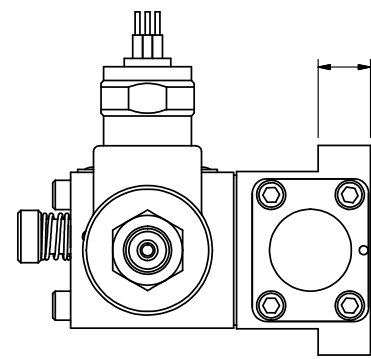
A



1/2" NPT CONDUIT CONNECTION



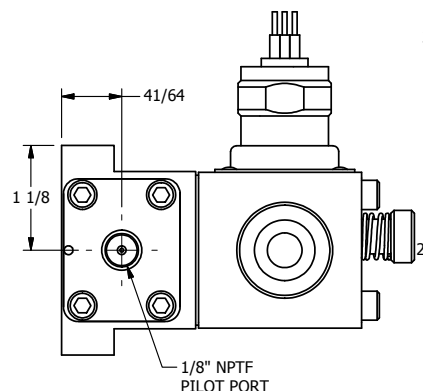
Ø13/64
4-PLACES



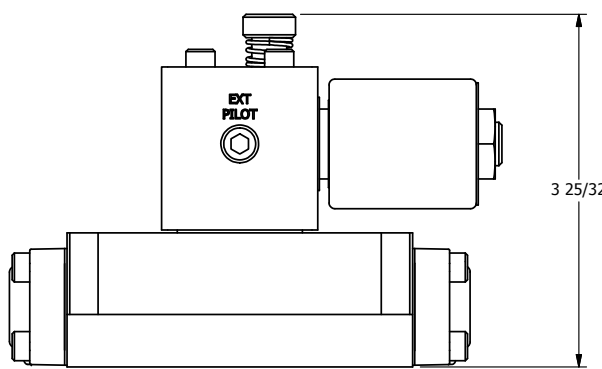
PORTS
5-PLACES

NOT USED

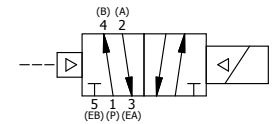
SEE NOTE 1



1/8" NPTF
PILOT PORT



NOTES:
1) REMOTE PILOT CAN BE ROUTED THROUGH SUBPLATE CONNECTION.



AAA
PRODUCTS
INTERNATIONAL
7114 Harry Hines Blvd
Dallas, TX 75235

TITLE 3/8" SUBPLATE, SNGL SOL, 2 POS,
FRICTION POS, PILOT RTRN,
MOLD-OVER, PUSH OVRD

DRAWING NO.:
DIM_SR3PMOP

4

3

2

1

THE INFORMATION CONTAINED WITHIN THIS DOCUMENT IS PROPRIETARY TO AAA PRODUCTS AND MAY NOT BE DISCLOSED WITHOUT PRIOR WRITTEN CONSENT